



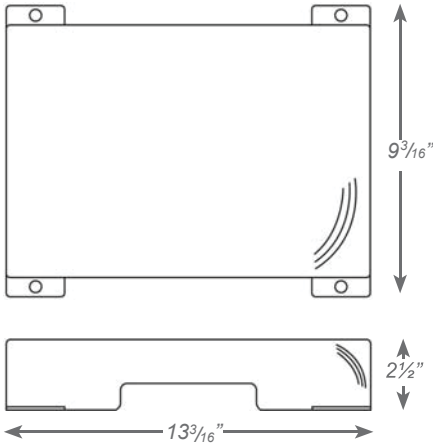
## Description

Vandal Shield

## Housing Mounting:

- High-impact resistant polycarbonate material.
- Mounting hardware provided for easy installation in the field.

## Dimensions:



## Fixture Compatibility Chart:

Reference individual unit equipment specification sheets for remote load capacity availability.

LL-CLPU	LL-ETXTE	LL-EZRXT
LL-EZXTE	LL-KXTE	LL-KZXTE
LL-SXTE		



<b>Project Name</b>	
<b>Catalog #</b>	
<b>Job Type</b>	
<b>Prepared By</b>	
<b>Notes</b>	

## Fixture Ordering Information

<b>Model</b>
LL-PCS-1