



Description

Mini Indoor LED Remote Head

Illumination:

- Adjustable, long lasting, efficient, ultra bright white LED lamp heads.
- One, 0.5W white LED per lamp head.
- Unique all-inclusive lamp, diffuser and lens assembly

Electrical:

- Powered from low voltage power source with low voltage wiring (not provided).

Mounting:

- Universal mounting adapter plate included with mounting hardware.
- Distance of maximum run is determined by system voltage, wire gauge and total maximum wattage on the run.
- Suitable for wall or ceiling mount.

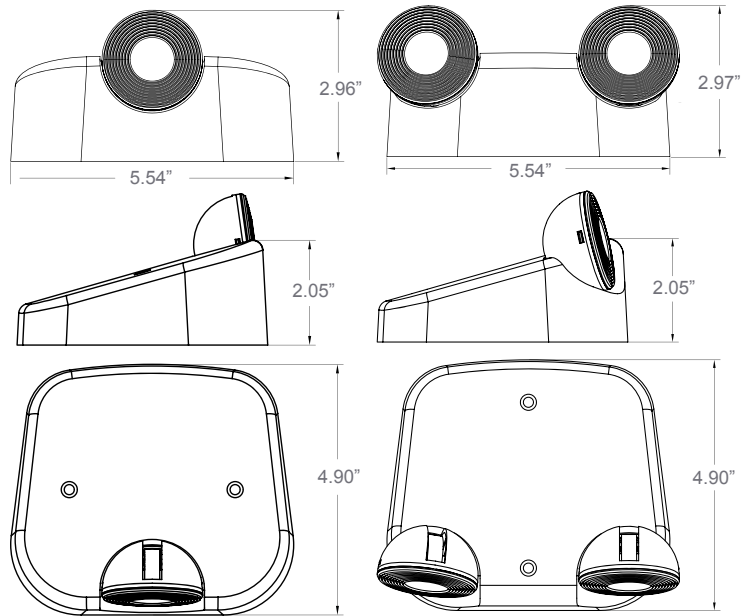
Housing:

- Injection-molded, engineering grade, 5VA flame retardant, high-impact resistant, thermoplastic in white or black finish.

Warranty/Listing:

- Seven year warranty.
- UL Listed with approved Litelume Products.
- Meets UL924, NFPA 101 Life Safety Code, NEC, OSHA, Local and State Codes.

Dimensions:



Fixture Compatibility Chart:

Reference individual unit equipment specification sheets for remote load capacity availability.

Model Type	3.6V
LL-CKXTEU-RC	X
LL-EM-RC	X
LL-CEM-RC	X
LL-E1-RC	X
LL-CEU-RC	X



Project Name	
Catalog #	
Job Type	
Prepared By	
Notes	

Fixture Ordering Information

Model	No. of Heads		Color		Voltage		Lamp Type ¹	
LL-MRHLED	1	Single Head	(blank)	White	3.6V	For use with 3.6V batteries	(blank)	1 LED 0.5W
	2	Double Head	B	Black				

¹ Wattage rating stated per head.