



Description

LED Outdoor Polycarbonate Remote Head

Illumination:

- Long lasting, efficient, ultra bright white LED lamp heads.
- 0.5 watt (1 LEDs x 0.5 watt) per head.
- Unique all-inclusive lamp, diffuser and lens assembly.
- Adjustable LED lamp heads provide optimal center-to-center spacing.

Electrical:

- Powered from low voltage power source with low voltage wiring (not provided).

Mounting:

- Universal mounting adapter plate included. Mounts to single-gang switch box.
- Distance of maximum run is determined by system voltage, wire gauge and total maximum wattage on the run.
- Suitable for wall or ceiling mount.

Housing:

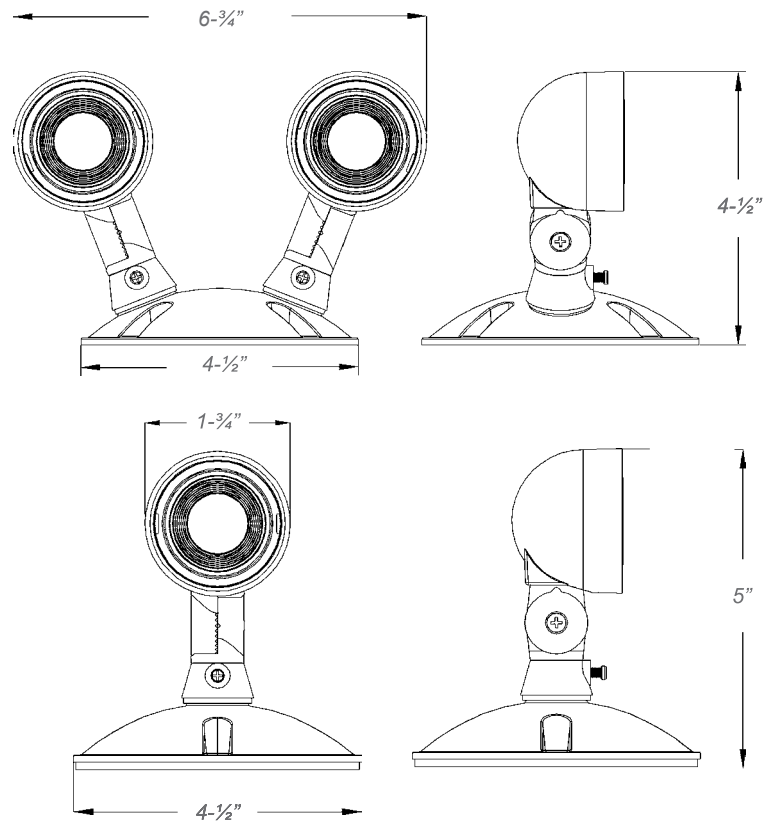
- Engineering grade, high-impact resistant polycarbonate housing.
- Sealed and gasketed in standard gray or black finish.

Warranty/Listing:

- Seven year warranty.
- cULus Listed for wet locations (-30°C - 50°C).
- Meets UL924, NFPA 101 Life Safety Code, NEC, OSHA, Local and State Codes.



Dimensions:



Fixture Compatibility Chart:

Reference individual unit equipment specification sheets for remote load capacity availability.

LL-CEU-RC	LL-CKXTE-RC	LL-EM-RC
LL-CEM-RC	LL-E1-RC	LL-CTXTE-RC



Project Name	
Catalog #	
Job Type	
Prepared By	
Notes	

Fixture Ordering Information

Model	No. of Heads		Color		Housing		Voltage	
LL-MRHLED	1	Single Head	(blank)	Gray	PWP	Thermoplastic	3.6V	For use with 3.6V DC Power Source
	2	Double Head	B	Black				