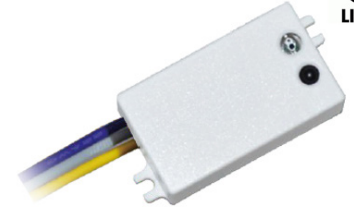




Low Voltage Microwave Bi-level Sensor



RC-100 Remote Control optional

Description

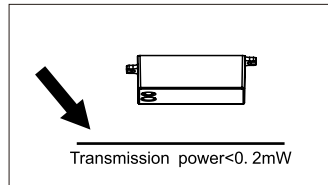
The ANT-9 microwave sensor has a detection range of 360°. The advantage of this product is its reliable working state. This microwave sensor that dims lighting from high to low based on movement.

Specifications

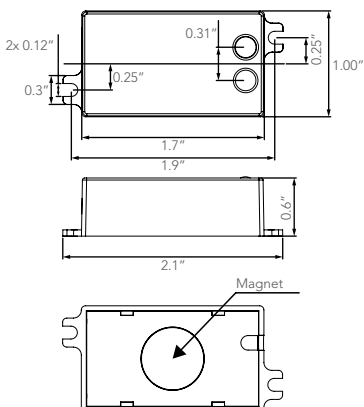
Power Supply:	12V-24V DC
HF System:	5.8GHz \pm 75MHz
Dim Control Output:	0-10V, max. 25mA sinking current
Detection Radius/Angle:	Max 26ft /360°
Mounting Height:	Max 40ft.
Remote range:	50ft indoor, no backlight
Humidity:	Max 95% RH
Temperature:	-40°C~70°C

Note:

The high-frequency output of this sensor is $<0.2\text{mW}$ - that is just 5000th of the transmission power of a mobile phone or the output of a microwave oven.

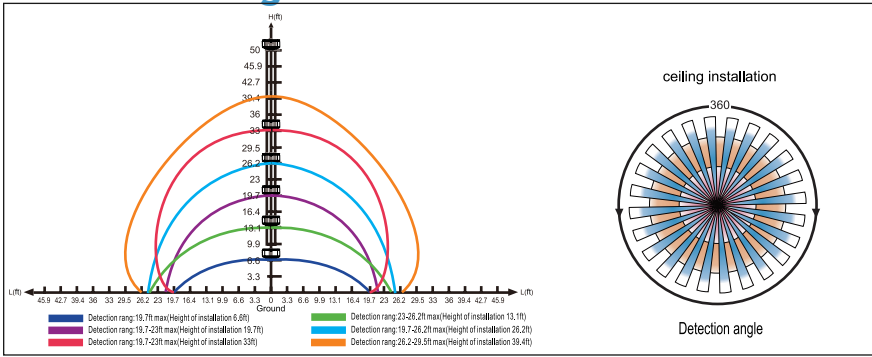


Dimensions





Sensor Coverage



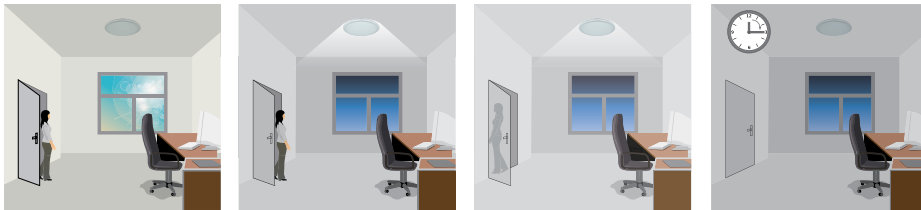
Once powering the device up, the BR1810-B-M7 will use factory default parameters to operate. If adjustments are needed, "RC-100" Wireless IR Configuration Tool must be used.

Utilization Field and Introduction

ANT-9 is a moving object sensor that can detect range of 360° and its working frequency is 5.8GHz. The advantage of this product is stable working state (stable working temperature: -40°C to 70°C), ANT-9 adopts a microwave sensor (high-frequency output <0.2mW), so that it is safe and performs better than infrared sensor.

Corridor Function

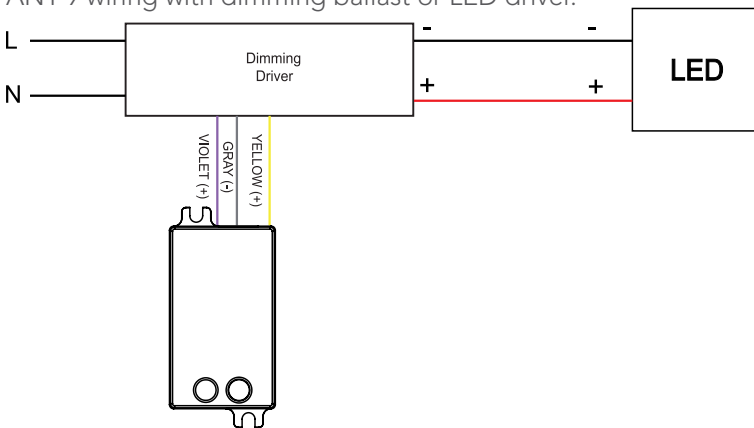
3 levels of the light control: 100%--dimming light (0%, 10%, 30%, 50%) --off, 2 selectable delayed wait time: motion hold stand-by time, Selectable daylight threshold



With sufficient natural light, the light does not switch on when presence is detected
 With insufficient natural light, the sensor switches on the light automatically when presence is detected
 After hold-time, the light dims to stand-by level if the surrounding natural light is below the daylight threshold.
 Light switches off automatically after the stand-by period elapses

Wiring Diagram

ANT-9 wiring with dimming ballast or LED driver.



Daylight Harvesting Function setting by Remote Control in Manual of RC-100



Project Name	
Catalog #	
Job Type	
Prepared By	
Notes	

Ordering Information

Part #	Description
ANT-9	Sharkward 0-10V Super Small Microwave Motion Sensor