



12-24VDC 0-10VDC Plug and Play Bluetooth PIR Sensor



Description

The Sil vair ANT-6-4T-BLE-SR uses passive infrared (PIR) technology for improved detection coverage for high bay, and low bay applications. It utilizes a Bluetooth® Low Energy (BLE) mesh network.

Features & Specifications

Construction

- ANT-6-4T-BLE-SR provides multi-level wireless lighting control based on motion and daylight.
- Constructed of white/black PC.
- PIR motion sensor can be configured as an occupancy or occupancy and daylight sensor.

Electrical

- ANT-6-4T-BLE-SR utilizes a Bluetooth® Low Energy (BLE) mesh network. Dim levels and schedules can be set through Sil vair iOS app.
- 360 degree PIR motion sensor can be configured as an occupancy sensor. Occupancy sensor turns lights on automatically when motion is detected and turns lights off automatically after the area is

vacated.

- Programmable settings include timedelays and brightness and can be set through Sil vair iOS app.
- Features such as parameter profiles, manual dim control, and real-time feedback from the sensor can speed up configuration and provide custom user control.
- Max Bluetooth® range is 200'(60m) line of sight and highly dependent on the integration of fixtures, surrounding environment. It is recommended to conduct testing for range accuracy.
- Input Voltage | Current Consumption: 12-24 VDC | 50 mA

Installation

- Plug in & play design, Low Voltage

- Connector, match with audio jack
- PIR detection is 360° coverage pattern and is best suited for areas with a clear line of sight and good air circulation
- Operating temperature range of -20°C to +60°C.
- Max mounting Height: 40ft(12m).
- Available with Magnetic reset (Touch the top part of sensor for 5 seconds).

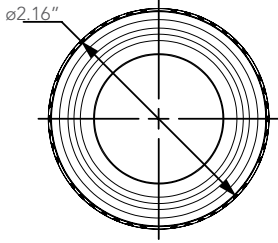
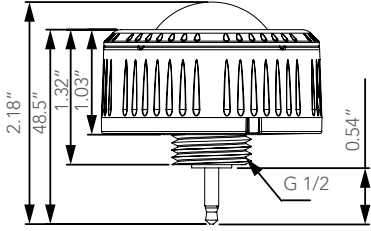
Warranty

- 5-years limited warranty.

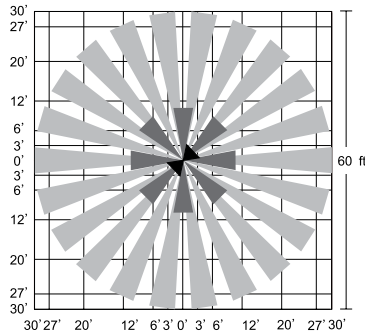
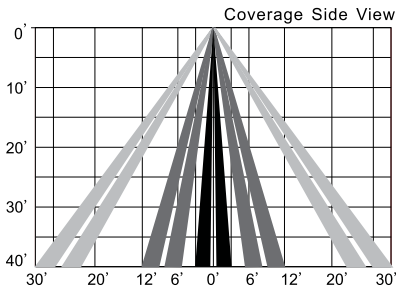
Listings

- FCC
- UL
- DLC
- Bluetooth®
- Declaration ID: D062134

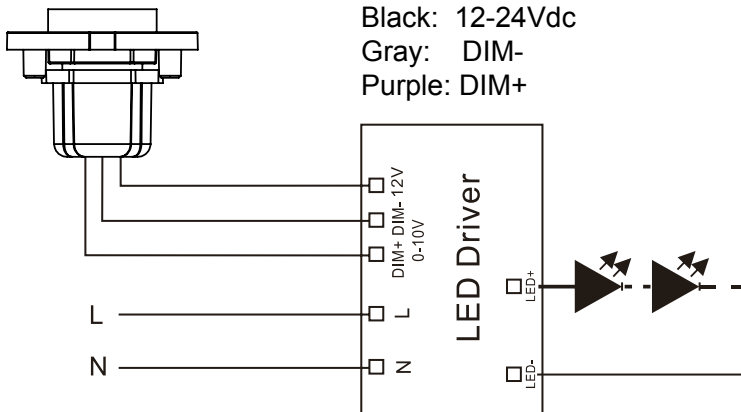
Dimensions



Sensor Coverage



Wiring Diagram



Black: 12-24Vdc
Gray: DIM-
Purple: DIM+



Project Name	
Catalog #	
Job Type	
Prepared By	
Notes	

Ordering Information

Part #	Description
ANT-6-4T-BLE-SR	Sharkward Silvair 12-24V DC 0-10V Plug And Play Bluetooth PIR Sensor