



Description

LED Indoor Thermoplastic Remote Head

Illumination:

- Long lasting, efficient, ultra bright white LED lamp heads.
- 1.0 watt (8 LEDs x 0.125 watt) per head.
- High performance chrome-plated metalized reflector and plastic lens for optimal light distribution.
- Adjustable LED lamp heads provide optimal center-to-center spacing.
- Optional high lumen heads are 1.5 watts (12 LEDs x 0.125 watt per head) and provide increased center-to-center spacing.

Electrical:

- Powered from low voltage power source with low voltage wiring (not provided).

Mounting:

- Universal mounting adapter plate included. Mounts to single-gang switch box.
- Distance of maximum run is determined by system voltage, wire gauge and total maximum wattage on the run.
- Suitable for wall or ceiling mount.

Housing:

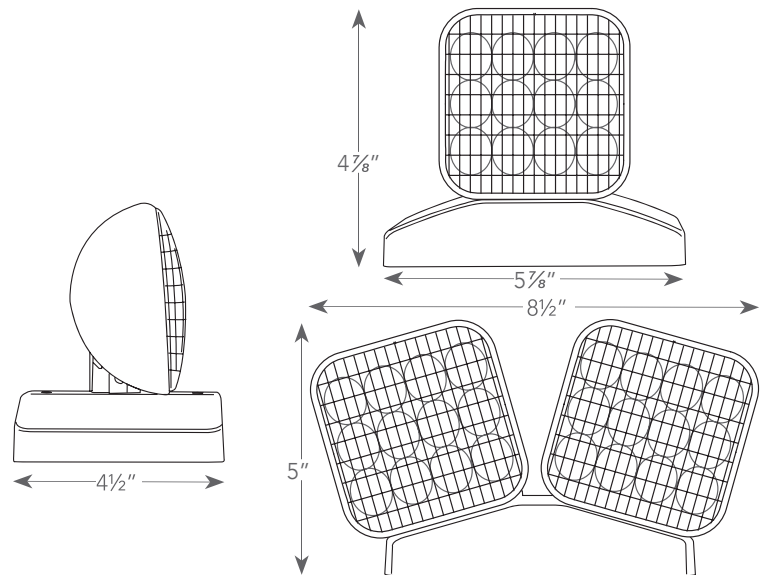
- Injection-molded, engineering grade, 5VA flame retardant, high-impact resistant, thermoplastic in white or black finish.

Warranty/Listing:

- Seven year warranty.
- UL Listed or damp locations (0°C – 50°C).
- Meets UL924, NFPA 101 Life Safety Code, NEC, OSHA, Local and State Codes



Dimensions:





Project Name	
Catalog #	
Job Type	
Prepared By	
Notes	

Fixture Ordering Information

Model	No. of Heads		Option		Voltage		Housing Color		Lamp Type ¹	
	LL-RHLED	1 2	Single Head Double Head	(blank) SDT	For Standard Non Self-Diagnostic Fixtures Self Diagnostics	MV	For Use With 3.6V, 6V, 9.6V & 12V DC Power Source	W B	White Black	(blank) HL

¹Wattage rating stated per head.