

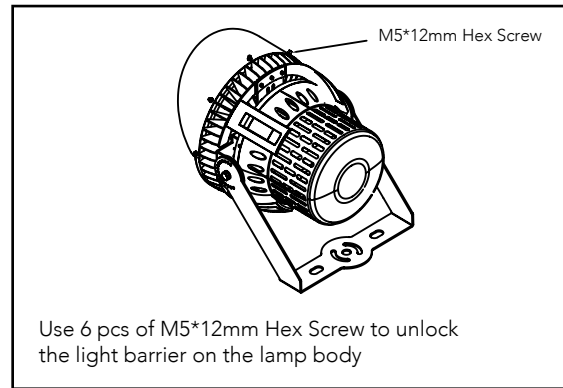
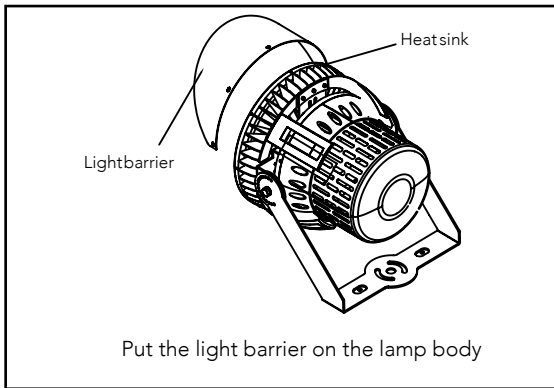
Sports Lighter Small Installation Instructions



⚠ Warning

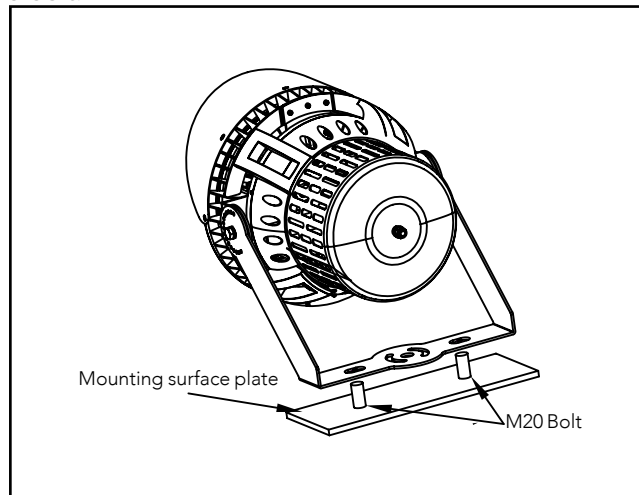
1. To avoid electric shock, disconnect power at source prior to installation.
2. The installation should be performed by qualified electricians or lighting technicians.
3. Before conducting any installation, maintenance, or removal, disable all power to the luminaries and wait until the fixture cool down.
4. Do not touch the fixture while it is in service.
5. If there is any problem with the fixture, DO turn off power and DO NOT attempt repair unless you are a qualified technician or the customer service member.

Light Barrier Installation Instructions



Installation Instructions

1. Fix the M20 bolt at the mounting surface plate.
2. Fix the rotatable bracket on the M20 bolt.

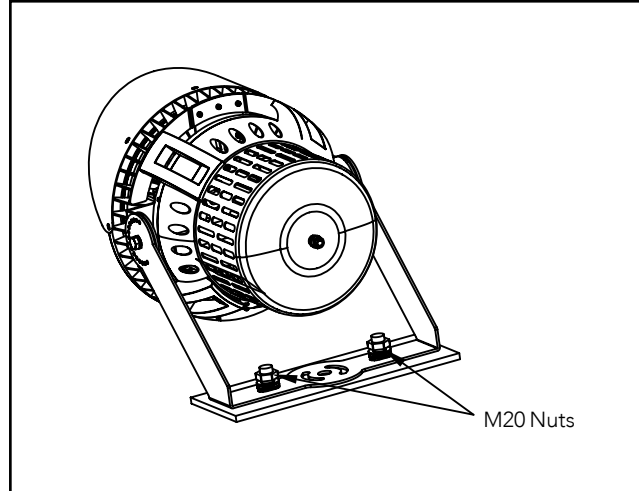


3. Put the plain washer & lock washer in the M20 bolt.

Sports Lighter Small Installation Instructions

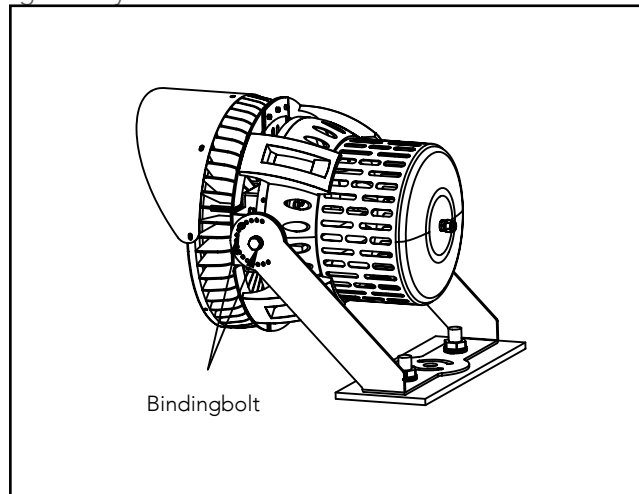


4. Fasten the nut, fix the light on the mounting surface.

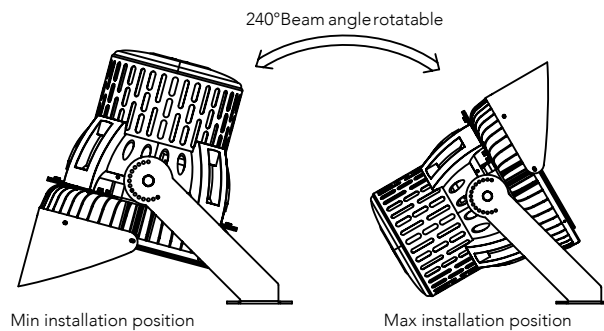


5. Adjust the beam angle.

6. Lock the binding bolt to fasten the light body.



Beam Angle Position

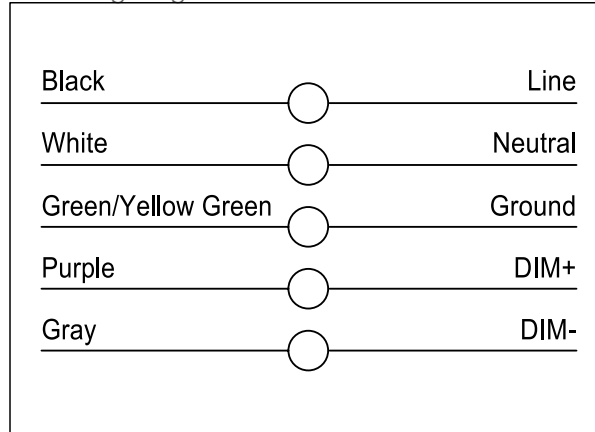


Sports Lighter Small Installation Instructions



Wiring Diagram

For 0-10V Dimming Version, please refer to wiring diagram below.



Troubleshooting

1. Check that the line voltage at the fixture is correct. Refer to wiring diagram above.
2. Is the fixture grounded properly?
3. Be sure the photocell, if used, is functioning properly.