

# Bollard Installation Instructions

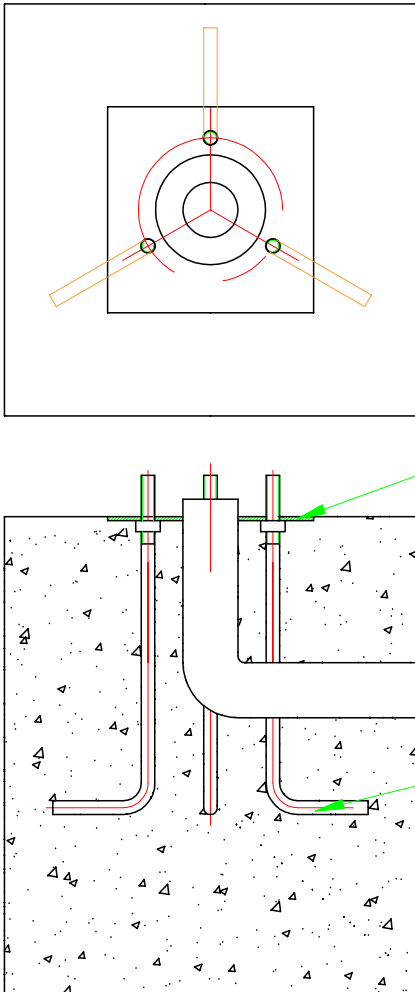
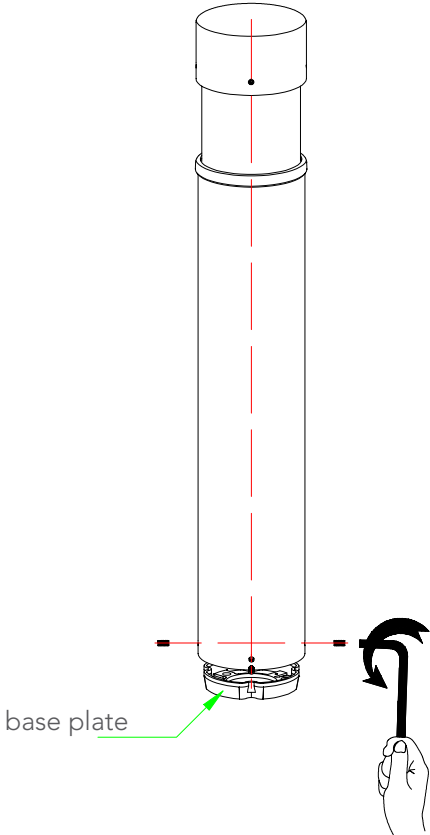


## ⚠ Warning

PLEASE READ ALL INSTRUCTIONS BEFORE ATTEMPTING INSTALLATION

1. Turn power off before inspection, installation or removal.
2. The installation should be performed by qualified electricians or lighting technicians.
3. Before conducting any installation, maintenance, or removal, disable all power to the luminaries and wait until the fixture cool down.
4. Do not touch the fixture while it is in service.
5. If there is any problem with the fixture, DO turn off power and DO NOT attempt repair unless you are a qualified technician or the customer service member.

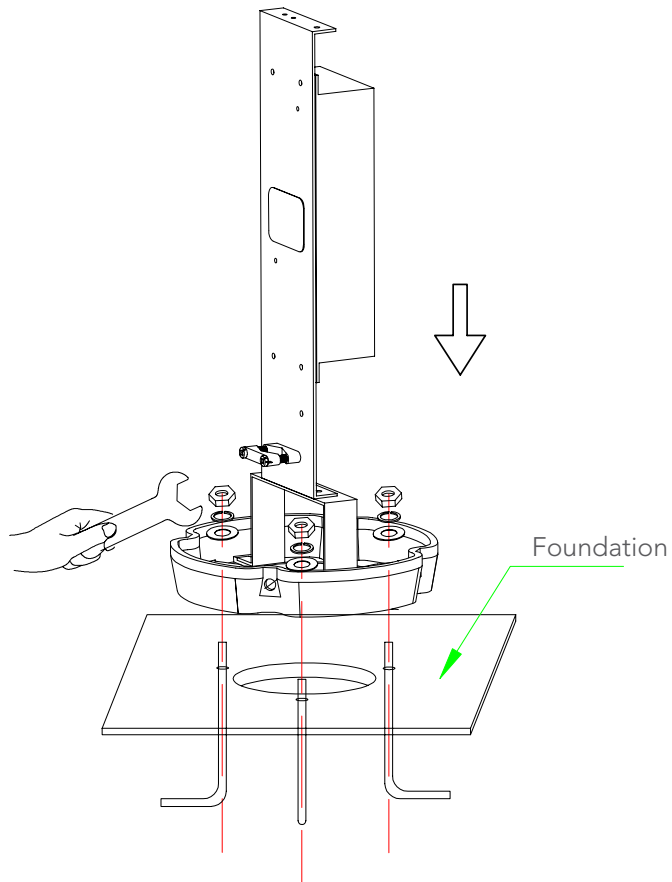
## Instructions

Step 1	Step 2
 <p>Location plate</p> <p>M10 (G3/8") anchor screw</p>	 <p>base plate</p>

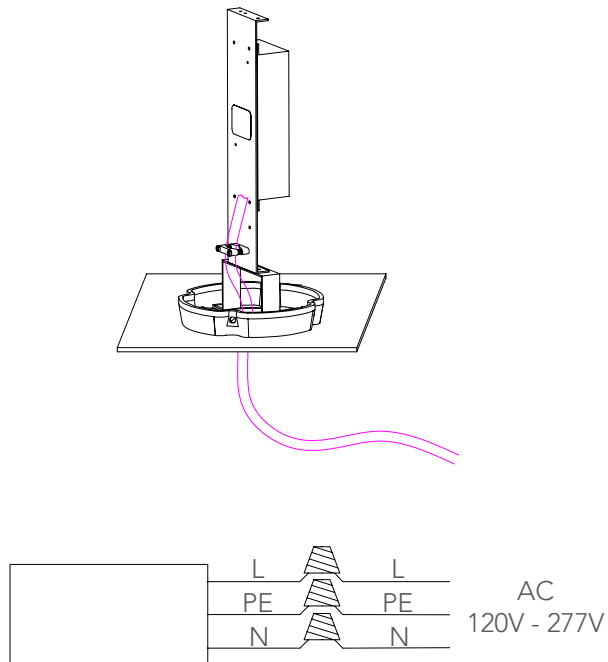
# Bollard Installation Instructions



Step 3



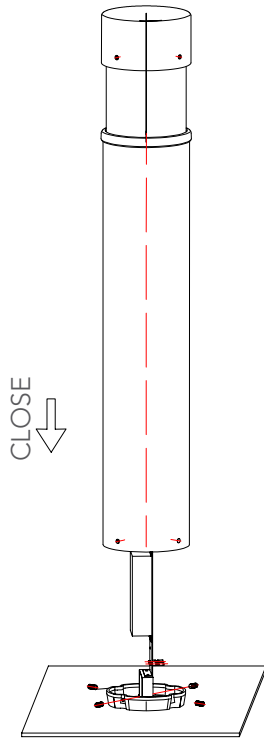
Step 4



# Bollard Installation Instructions



Step 5



Step 6

