

Wallpack-Adjustable Installation Instructions

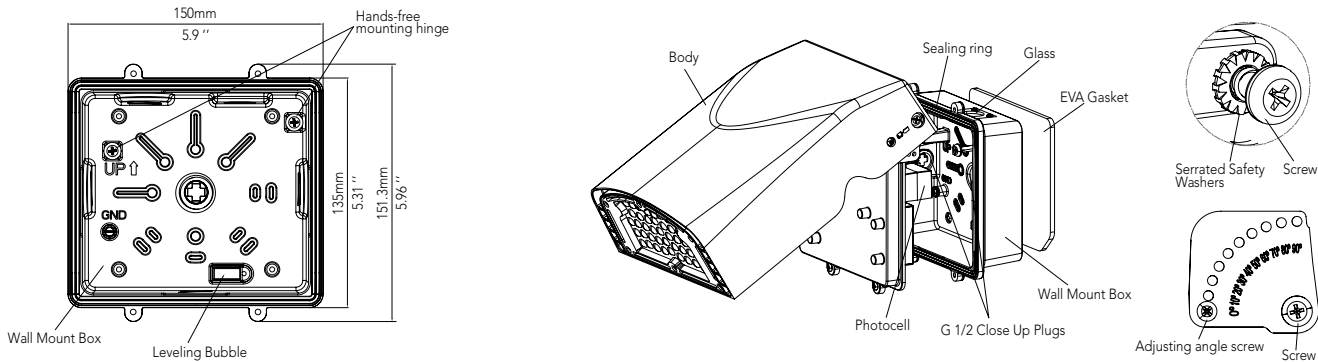


⚠ Warning

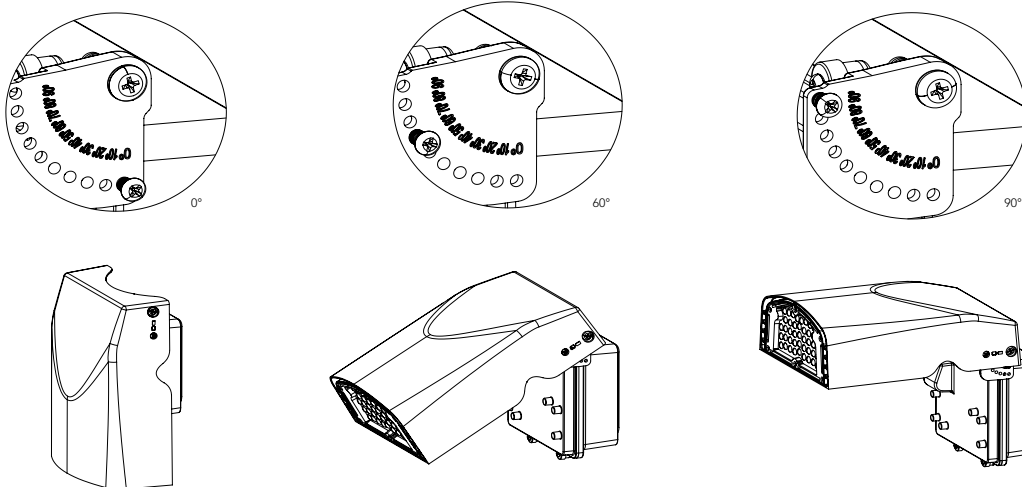
1. To avoid electric shock, disconnect power at source prior to installation.
2. The installation should be performed by qualified electricians or lighting technicians.
3. Before conducting any installation, maintenance, or removal, disable all power to the luminaires and wait until the fixture cool down.
4. Do not touch the fixture while it is in service.
5. If there is any problem with the fixture, DO turn off power and DO NOT attempt repair unless you are a qualified technician or the customer service member.

Installation

1. Open the Back Box by loosening the Locking Screw.
2. Verify and remove only necessary Gasket material where Back Box will mount.
3. Knock-out Back Box material for necessary mounting location.
4. Mount Back Box to Junction Box securely, using hardware supplied by others.
5. Connect electrical connections with fixture wiring.
6. Seal Back Box to Housing by pushing on front of Housing while tightening
 - Locking Screw to ensure that screw is fully seated in the Housing Recess.
 - Ensure wiring remains within Back Box and wires do not get pinched.
 - Using a silicone rubber will ensure a watertight seal.



7. If light output angle needs to be adjusted loosen screw to rotate the fixture to desired light output angle. Tighten screw once desired light output angle is achieved.



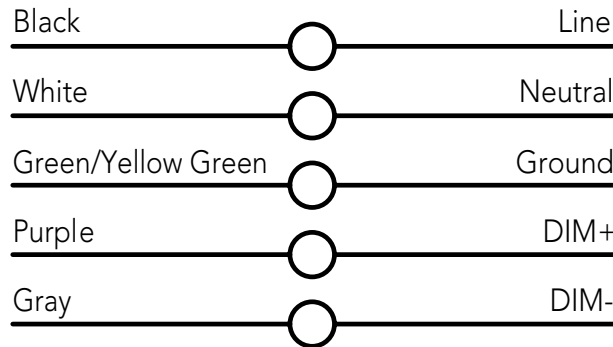
Wallpack-Adjustable Installation Instructions



ON-OFF Wiring

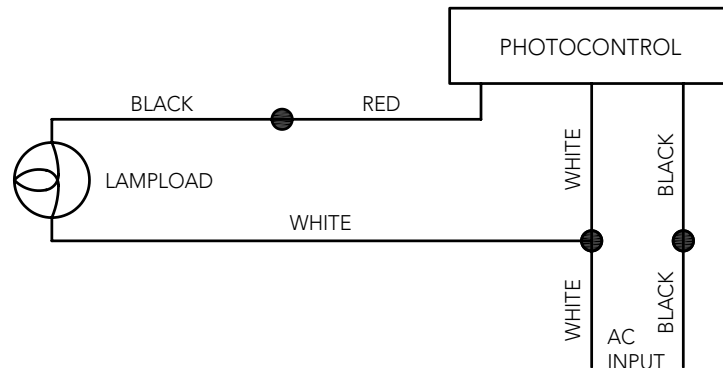
Universal voltage driver permits operation at 120V to 277VAC, 60 Hz except fixtures factory ordered with a 120V photocell (P1) or 277V photocell (P2) or 347V photocell (P3)

1. Connect the Black fixture lead to the (+) LINE supply lead.
2. Connect the White fixture lead to the (-) COMMON supply lead.
3. Connect the Yellow/Green wire from fixture to supply ground.



Photocell Installation

1. Install photocell and wire as per diagram.
2. Use photocell rated for your supply voltage.



Cleaning and Maintenance

CAUTION: Be sure the fixture temperature is cool enough to touch. Do not clean or maintain while fixture is energized.

1. Clean glass lens with non-abrasive glass cleaning solution.
2. Do not open the fixture to clean the LED. Do not touch the LEDs.

Troubleshooting

1. Check that the line voltage at the fixture is correct. Refer to wiring diagram above.
2. Is the fixture grounded properly?
3. Be sure the photocell, if used, is functioning properly.