

# LED Bollard Econolume Series

## Round

### Installation Instructions



#### **Warning**

PLEASE READ ALL INSTRUCTIONS BEFORE ATTEMPTING INSTALLATION

1. Risk of electric shock--Disconnect power to equipment before installing or servicing. This equipment must be installed according to all applicable codes & ordinances.
2. Installation and service of this equipment must be performed by qualified service personnel.
3. Read these instructions before installing, servicing or maintaining this equipment.
4. Save these instructions for maintaining and servicing.
5. The installer must ensure that the foundation is stable and can support the luminaire's weight.
6. The Installer must use proper means to secure the luminaire to the ground

#### **Caution**

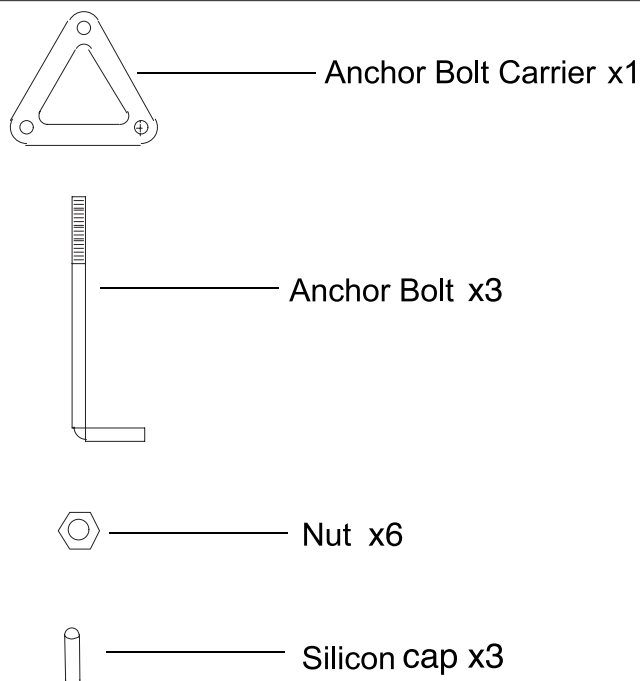
- Edges may cut--wear gloves while handling or servicing this equipment.
- Inspect equipment for damage from shipping and handling.
- Recommended cleaning substances:
  - Wipe off dust with a dry, soft cloth. Remove greasy spots etc. with a soft cloth dampened in lukewarm water (<122°F/ 50°C) with a mild detergent.
  - Never use detergents containing abrasives and solvents.
  - Warning: Scouring powder and similar substances will scratch surfaces

### Round Anchor Bolt Installation

#### MOUNTING ACCESSORIES PREPARATION

Remove the accessories in Fig 1 from the package, and make sure all parts in good condition and right qtys.

Figure 1



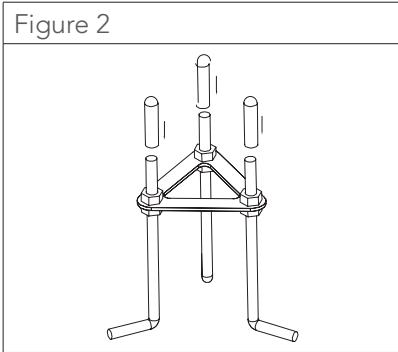
# LED Bollard Econolume Series Round Installation Instructions



## Installing Anchor Bolt

1. Prepare site. Get the anchor bolt carrier assembled as Fig2 and protect the threads from concrete splash with silicon caps.

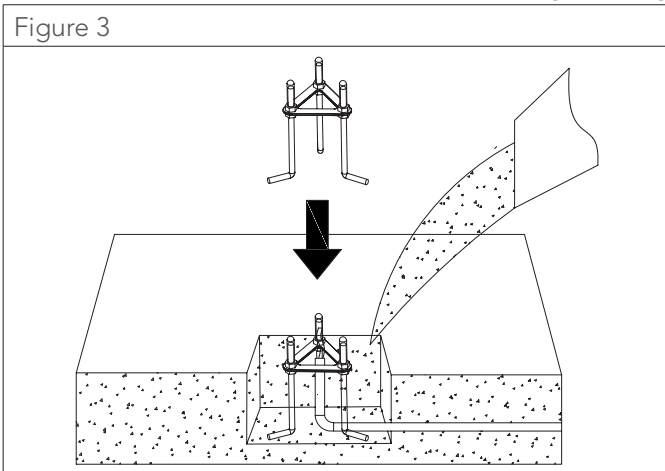
Figure 2



2. Ensure that concrete base is suitable for the bollard load.

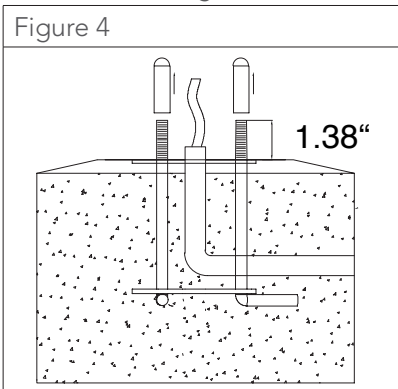
3. Sink the anchor bolts into the concrete as Fig3 leaving the threaded portion

Figure 3



4. 1-1/2~2" as Fig4 above the cement . And remove the silicon caps

Figure 4



# LED Bollard Econolume Series

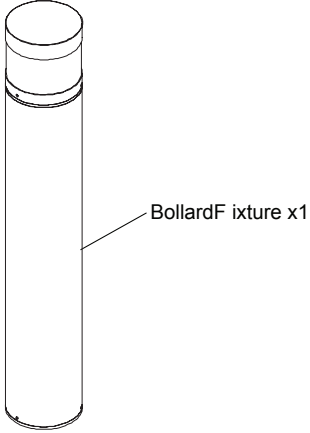
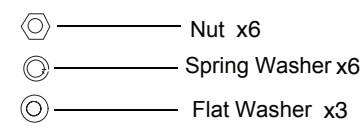
## Round

### Installation Instructions



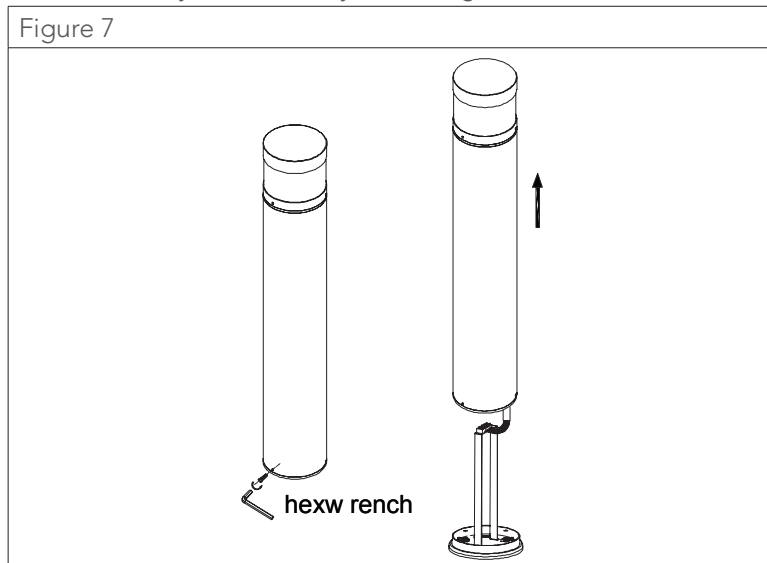
#### Luminaire Preparation

Remove the luminaire (Fig 5) and accessories (Fig 6) from the carton and inspect luminaire for damage. Do not install a damaged luminaire.

Figure 5	Figure 6
	 <ul style="list-style-type: none"><li>Nut x6</li><li>Spring Washer x6</li><li>Flat Washer x3</li></ul>

#### Installing Bollard

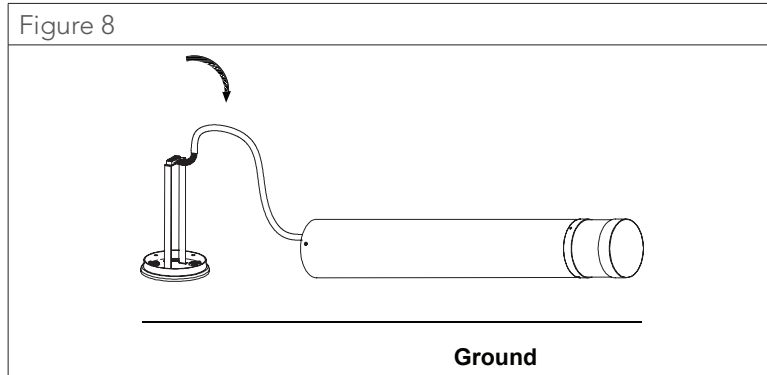
1. Prepare site
2. Dis-assembly the fixture by loosening the set screws x3 with hex wrench. (Fig7)



# LED Bollard Econolume Series Round Installation Instructions

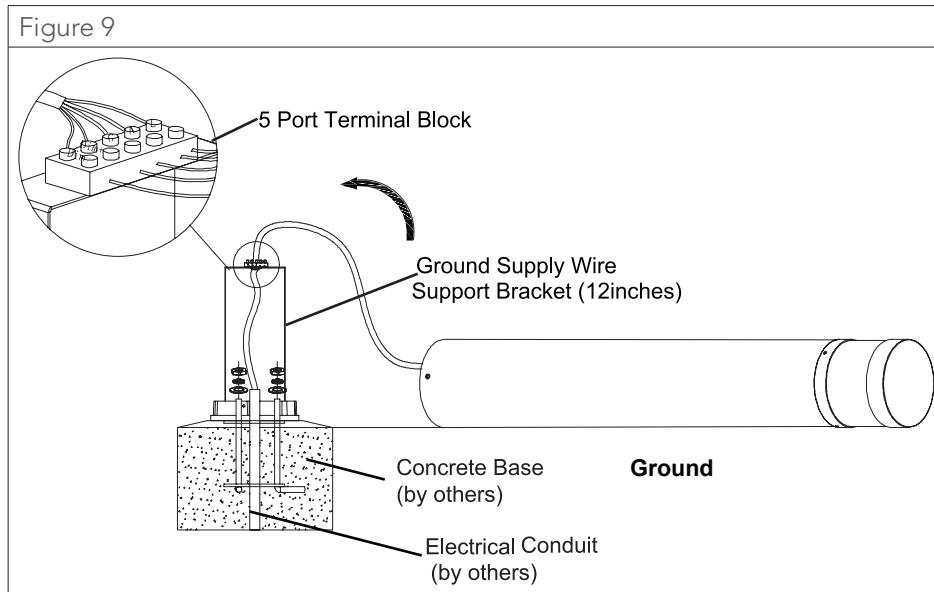


3. Lay the fixture down by the side of the installed anchor bolts. Keep the wires connected (Fig8)

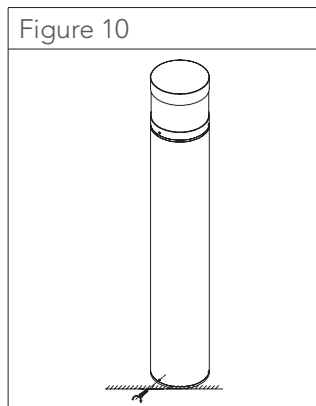


4. Place bollard base plate over anchor bolts and tighten nuts securing the base plate to the foundation.

5. As the wires shown on Fig9 will not be disconnected during installation, so please double check to make sure they are in good connection after the base installation.



6. Put back the fixture body, and tighten the set screwsx3 with hex wrench. (Fig10)



# LED Bollard Econolume Series

## Round

### Installation Instructions



#### Wiring Diagram

Class 1 wiring only

