



# Highbay Linear Full Body



\*Shown with Diffused lens

## Description

The Litelume Highbay Linear Full Body ( LL-HBLFB ) series is a group of full-body, premium-performance LED high bay luminaires. These luminaires are designed to illuminate a wide variety of settings, including commercial, industrial and retail settings such as warehouses, manufacturing plants, sporting venues and big-box retailers. With a painted, steel housing, this luminaire provides high levels of durability and performance. High-efficacy, long-life LEDs provide both energy and maintenance cost savings compared to traditional, High Intensity Discharge (HID) high bays.

## Fixture Information

Size:	90W/135W/180W/215W/265W/ 320W/425W
Housing:	Panted Steel
Finish:	Protective powdercoat
Color:	Standard: White
Mounting:	Standard: Chain mounting with V hooks Optional: Surface Mount Pendant Mount Chain Mount
Lens:	Standard: No Lens Optional Clear or Diffused
CRI:	80
Temperature:	-20°C to 50°C
Voltage:	Standard: 120-277V Custom Option: 347-480V
Power Factor:	>.90
Sensor:	Standard: No sensor Passive Infrared Microwave
Warranty:	5-Year Limited Warranty

## Performance Data

### Lumen Output:

12,193 to 60,629 lm

### Lumens Per Watt (typical):

140 to 142 lm/W

### CCT:

4000K

5000K

### Lifespan:

122,000 hours @ L70

### Ratings & Certificates

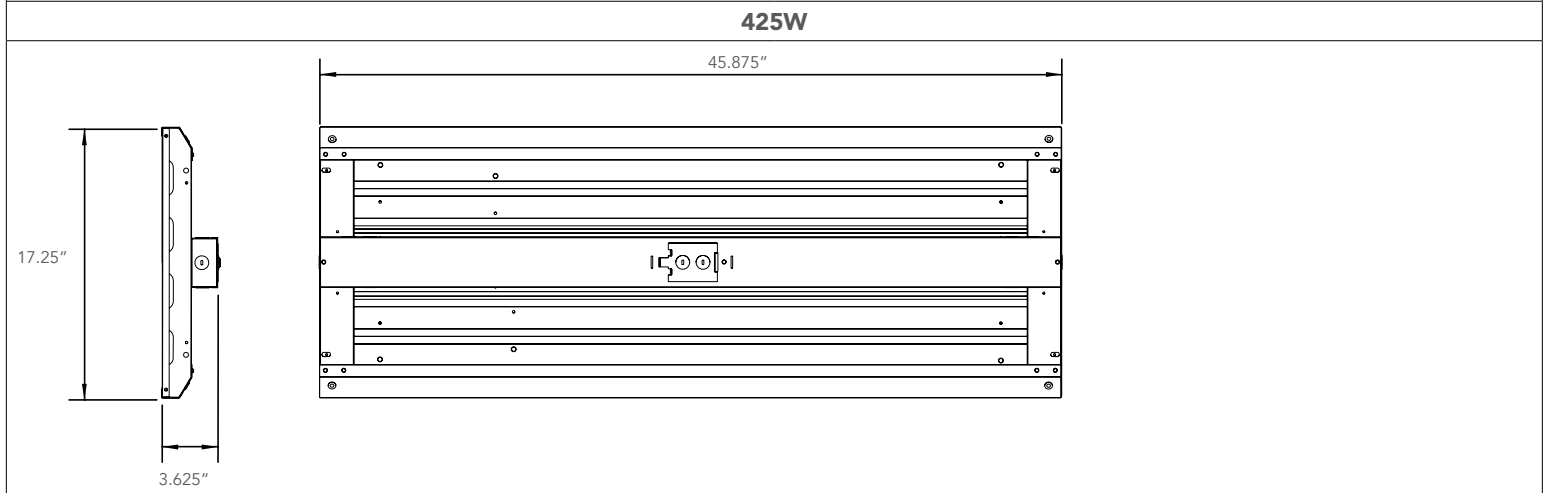
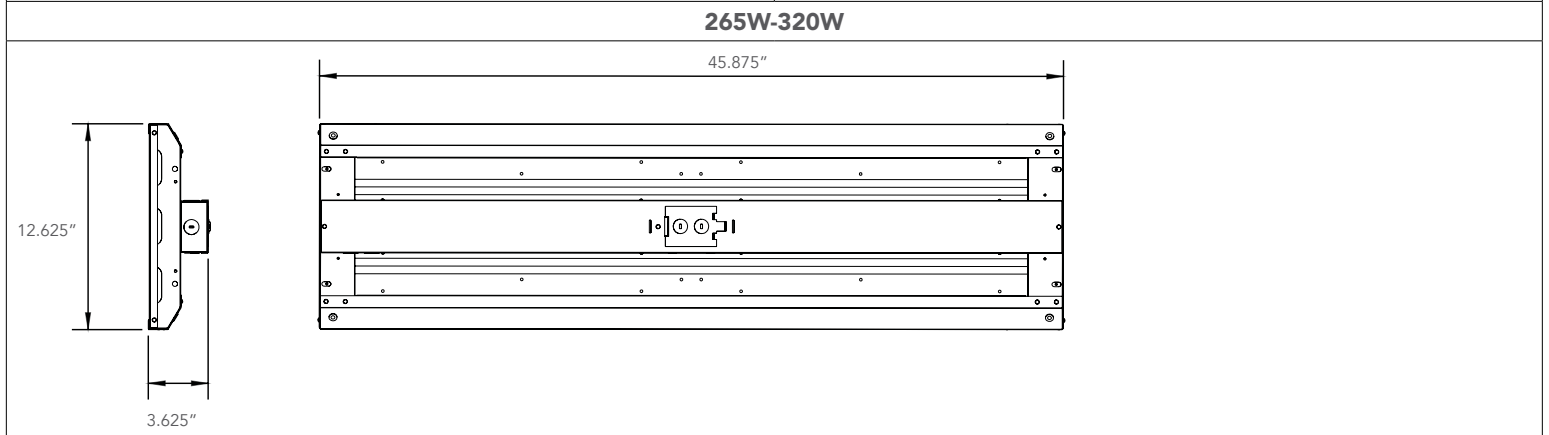
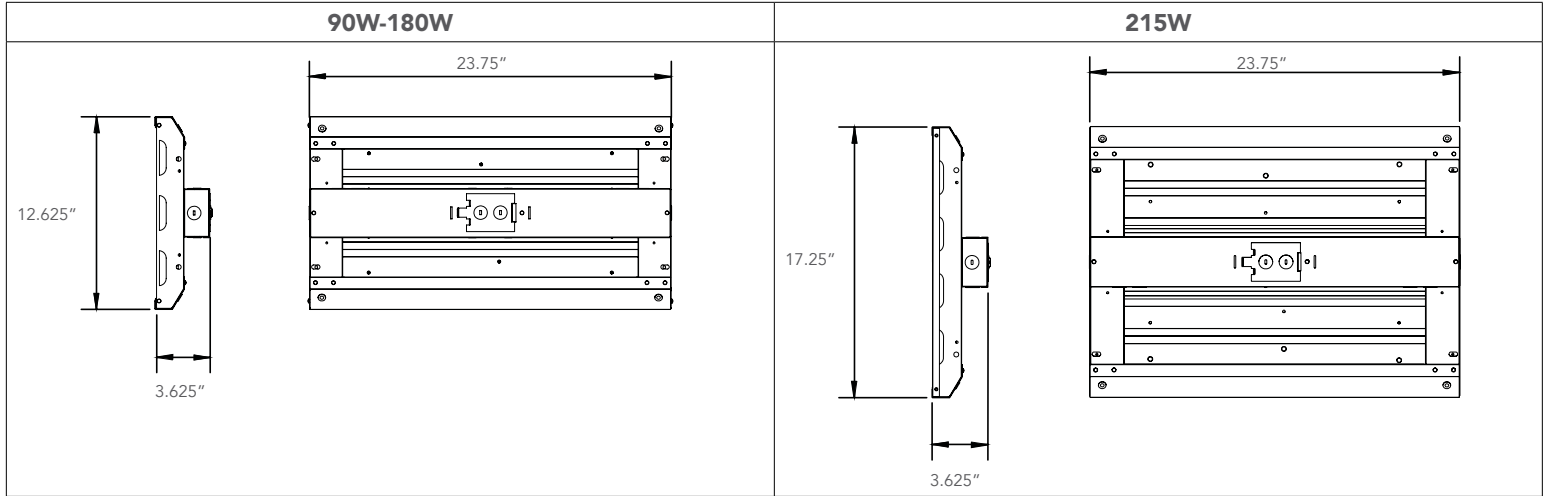
cULus Listed For Damp Location





### Dimension

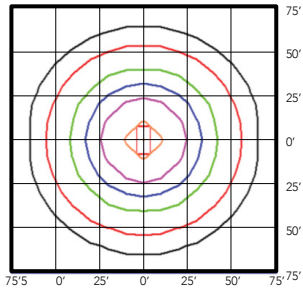
Item	Height	Width	Length	Weight
90W-180W	3.625"	12.625"	23.75"	11 lbs
215W	3.625"	17.25"	23.75"	14 lbs
265W-320W	3.625"	12.625"	45.875"	18.1 lbs
425W	3.625"	17.25"	45.875"	22.7 lbs





Photometrics:

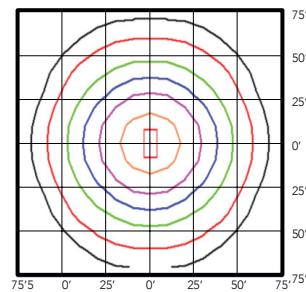
LL-HBLFB-90-50-UNV-WH



Notes:

- Isofootcandle plots depict initial foot-candles at grade.
- Gridlines represent units of mounting height of 25 feet.

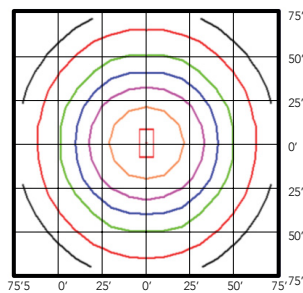
LL-HBLFB-135-50-UNV-WH



Notes:

- Isofootcandle plots depict initial foot-candles at grade.
- Gridlines represent units of mounting height of 25 feet.

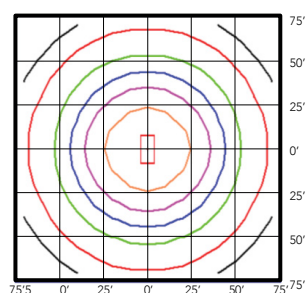
LL-HBLFB-180-50-UNV-WH



Notes:

- Isofootcandle plots depict initial foot-candles at grade.
- Gridlines represent units of mounting height of 25 feet.

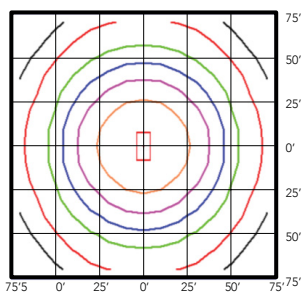
LL-HBLFB-215-50-UNV-WH



Notes:

- Isofootcandle plots depict initial foot-candles at grade.
- Gridlines represent units of mounting height of 25 feet.

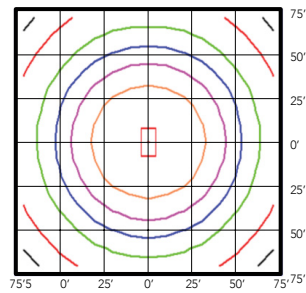
LL-HBLFB-265-50-UNV-WH



Notes:

- Isofootcandle plots depict initial foot-candles at grade.
- Gridlines represent units of mounting height of 25 feet.

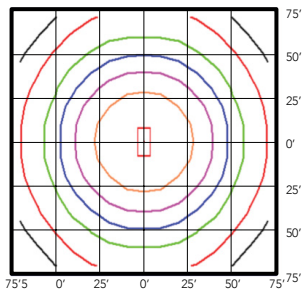
LL-HBLFB-320-50-UNV-WH



Notes:

- Isofootcandle plots depict initial foot-candles at grade.
- Gridlines represent units of mounting height of 25 feet.

LL-HBLFB-425-50-UNV-WH



Notes:

- Isofootcandle plots depict initial foot-candles at grade.
- Gridlines represent units of mounting height of 25 feet.



<b>Project Name</b>	
<b>Catalog #</b>	
<b>Job Type</b>	
<b>Prepared By</b>	
<b>Notes</b>	

## Fixture Ordering Information

Part #	Wattage	Lumens	Kelvin	Voltage	Color
LL-HBLFB-90-50-UNV-WH	90	12394	5000	120-277	White
LL-HBLFB-90-40-UNV-WH	90	12193	4000	120-277	White
LL-HBLFB-135-50-UNV-WH	135	18564	5000	120-277	White
LL-HBLFB-135-40-UNV-WH	135	18401	4000	120-277	White
LL-HBLFB-180-50-UNV-WH	180	24603	5000	120-277	White
LL-HBLFB-180-40-UNV-WH	180	24457	4000	120-277	White
LL-HBLFB-215-50-UNV-WH	215	30356	5000	120-277	White
LL-HBLFB-215-40-UNV-WH	215	29929	4000	120-277	White
LL-HBLFB-265-50-UNV-WH	265	37996	5000	120-277	White
LL-HBLFB-265-40-UNV-WH	265	37590	4000	120-277	White
LL-HBLFB-320-50-UNV-WH	320	44460	5000	120-277	White
LL-HBLFB-320-40-UNV-WH	320	44235	4000	120-277	White
LL-HBLFB-425-50-UNV-WH	425	60629	5000	120-277	White
LL-HBLFB-425-40-UNV-WH	425	59278	4000	120-277	White

## Mounting Ordering Information

Part #	Description
HBLFB-SMK-12.625WIDE	Surface-mount kit – 90W, 135W, 180W, 265W & 320W
HBLFB-SMK-17.25WIDE	Surface-mount kit – 215W & 425W
HBLFB-PMK	Pendant-mount kit – 90W, 135W, 180W, 265W, 320W, & 425W
HBLFB-PMK8	Pendant-mount kit – 215W
HBLFB-CMK3	Cable-mounting kit, 3 meters long
HBLFB-CMK5	Cable-mounting kit, 5 meters long

\* Please contact LITELUME for all Custom Option Requests

## Accessories Ordering Information

Part #	Description
HBLFB-CRLENS-12X23	Clear lens – 90W, 135W & 180W
HBLFB-CRLENS-17X23	Clear lens – 215W
HBLFB-CRLENS-12X45	Clear lens – 265W & 320W
HBLFB-CRLENS-17X45	Clear lens – 425W
HBLFB-DIFLENS-12X23	Diffuse lens – 90W, 135W & 180W
HBLFB-DIFLENS-17X23	Diffuse lens – 215W
HBLFB-DIFLENS-12X45	Diffuse lens – 265W & 320W
HBLFB-DIFLENS-17X45	Diffuse lens – 425W
HBLFB-WG-12X23	Wire-guard kit – 90W, 135W & 180W
HBLFB-WG-17X23	Wire-guard kit – 215W



HBLFB-WG-12X45	Wire-guard kit – 265W & 320W
HBLFB-WG-17X45	Wire-guard kit – 425W
OS	Passive infrared <b>**ONLY AVAILABLE FOR 120-277V**</b>
ODS	Microwave Sensor <b>**ONLY AVAILABLE FOR 120-277V**</b>
EM12	Emergency Driver (1200 lumens)
EM16	Emergency Driver (1600 lumens)
EM20	Emergency Driver (2000 lumens)
EM24	Emergency Driver (2400 lumens)
EC12	Emergency Driver (1200 lumens) - California Energy Commission (CEC) listed
EC16	Emergency Driver (1600 lumens) - California Energy Commission (CEC) listed
EC20	Emergency Driver (2000 lumens) - California Energy Commission (CEC) listed
EC24	Emergency Driver (2400 lumens) - California Energy Commission (CEC) listed
SUB "UNV" WITH "480"	480 Volt

\* Please contact LITELUME for all Custom Option Requests