



Sportlume Series Sports Lighter Small



Description

The LITELUME™ Sportlume Series Sports Lighter Small (LL-SLS) features a beautiful diecast aluminum body, with a premium patented design, specifically tailored for sports field applications. With multiple beam angles to meet various design requirements, the SLS is the solution for your team.

Fixture Information

Size:	300W/500W
Housing:	Heavy Duty Die-cast Aluminum Housing with Cooling Fins
Finish:	Protective powdercoat
Color:	Standard: Bronze (BZ) Black (BK) Optional: Black and Red (BKRD) Black and Blue (BKBL) White (WH) Green (GR) Grey (GY) Custom Options Available
Mounting:	Standard: Heavy Duty Yoke
Lens:	Heat and Impact Resistant Tempered Glass Lens with Anti-Glare Difuser
Power Supply:	Meanwell HVG Series
Safety & EMC	Compliance to EN61000-4-2,3,4,5,6,8,11, EN61457, light industry level (Surge Immunity Line-Earth 4KV, Line-Line 2KV) EAC TP TC 020
Surge Protection:	Optional: 20KA
Voltage:	Standard: 200-480V
Power Factor:	.90 or greater
CRI:	80
EPA:	1.60
Operating Temperature:	-40°F to 104°F
Sensor:	Standard: No sensor
Warranty:	5-Year Limited Warranty

Performance Data

Lumen Output:

40,146 to 66,937 lm

Lumens Per Watt (typical):

133 to 136 lm/W

CCT:

4000K
5000K
5700K

Beam Angle:

T5

Lifespan:

Features Philips Lumileds 3030 LEDs with up to 100,000 running hours.

Ratings & Certificates

ETL Listed For Wet Location
DLC Premium Qualified
IP66 rated



Intertek

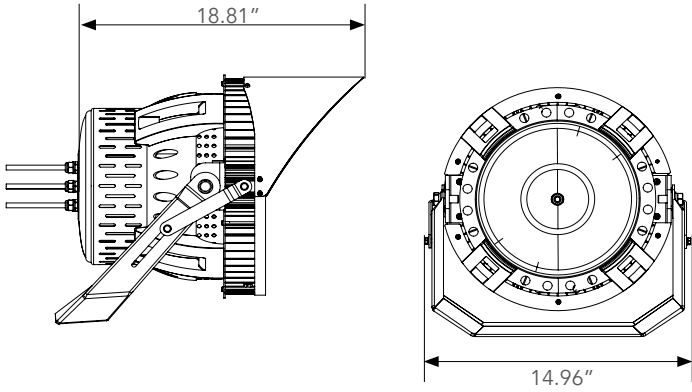
Wattage Replacement

Existing Watts	Litelume Watts
750-1000W	300W
1000-1500W	500W

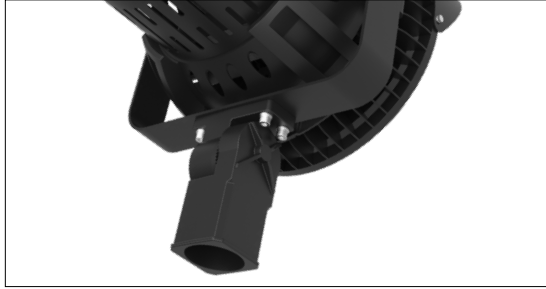


Dimension & Weight

Item	Width	Length	Weight
Sports Lighter Small- 300W	14.96"	18.81"	37.4 lbs
Sports Lighter Small- 400W	14.96"	18.81"	39.6 lbs
Sports Lighter Small- 500W	14.96"	18.81"	39.6 lbs

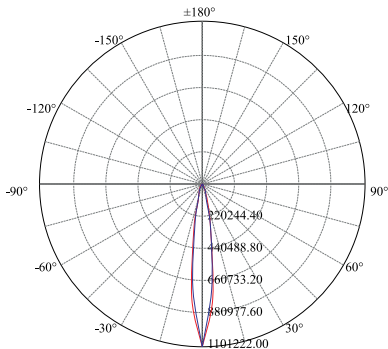


Mounting Option



Slip Fitter- An optional cast aluminum mast arm adapter secures fixture head to nominal 2"(2-3/8"O.D. pipe size) horizontal steel tenon arm.

Photometrics



NEMA 2		
Height	Mac FC	Beam Diameter
40 ft	721	20 ft
80 ft	180	41 ft
120 ft	80	61 ft
160 ft	46	82 ft
200 ft	30	
Beam Angle: 14.9° , Field Angle = 32°		

NEMA 5		
Height	Mac FC	Beam Diameter
40 ft	91	67 ft
80 ft	21	134 ft
120 ft	9	201 ft
160 ft	6	268 ft
200 ft	4	336 ft
Beam Angle: 40° , Field Angle = 80°		

Color Options*



Black (BK)

Bronze (BZ)

Black and Red (BKRD)

Black and Blue (BKBL)

* Please contact LITELUME for all Available Colors



Project Name	
Catalog #	
Job Type	
Prepared By	
Notes	

Fixture Ordering Information

Part #	Wattage	Lumens	Kelvin	Voltage	Beam Angle	Custom Option Available*
LL-SLS-295-57-HV	300	41001	5700	200-480	T5	Yes
LL-SLS-295-50-HV	300	40639	5000	200-480	T5	Yes
LL-SLS-295-40-HV	300	40146	4000	200-480	T5	Yes
LL-SLS-495-57-HV	500	66937	5700	200-480	T5	Yes
LL-SLS-495-50-HV	500	66205	5000	200-480	T5	Yes
LL-SLS-495-40-HV	500	64962	4000	200-480	T5	Yes

* Please contact LITELUME for all Custom Option Requests

Ordering Information

Part #	Wattage
SP20	20KA Thermally Protective Surge Protective Device

* Please contact LITELUME for all Custom Option Requests

Paint Finish Ordering Information

Part #	Description
BZ	Bronze
WH	White
BK	Black
GR	Green
GY	Grey
BKBL	Black and Blue
BKRD	Black and Red
RDWHBL	Red, White and Blue
CUS	Custom

* Please contact LITELUME for all Custom Option Requests

Beam Angle Ordering Information

Part #	Description
SL30	SL 30° Beam
SL45	SL 45° Beam
SL80	SL 80° Beam

* Please contact LITELUME for all Custom Option Requests

Mounting Option

Part #	Description
SLS-SF	Slipfitter For Sports Lighter Small

* Please contact LITELUME for all Custom Option Requests

Buy American Act Compliant Ordering Information

Part #	Description
BAA-SLS	Buy America Act Compliant For Sports Lighter Small

* Please contact LITELUME for all Custom Option Requests