



# Amberlume Series Architectural Enclosed Post Top Small



## Description

The Litelume Amberlume Series Architectural Enclosed Post Top Small (LL-ALAEPTS) is available in a Type V distribution designed to replace HID lighting systems up to 250w MH or HPS for wildlife or security applications requiring monochromatic AMBER light. LEDs operate between 585 and 595 nm, greater than 560nm required for wildlife protection. The fixture mounts to a pole top tenon. Typical area lighting applications include parking areas, walkways, and street lighting applications. Mounting heights of 12 to 20 feet can be used based on light level and uniformity requirements.

## Fixture Information

Size:	46W/ 78W
Housing:	Die Cast Aluminum Housing
Finish:	Textured Architectural Bronze Powdercoat Finish Over a Chromate Conversion Coating
Lens:	Clear UV-Stabilized Polycarbonate Array Lens to Seal LED Array.
Temperature:	-40°C to +50°C
Voltage:	Standard: 120-277V
Sensor:	Standard: No sensor Custom: Microwave Sensor with Dimming Twist Lock Photocell
Power Factor:	>.90
Surge Protector:	6 kVA
Warranty:	10-Year Limited Warranty

## Performance Data

### Lumen Output:

1,012 to 1,717 lm

### Lumens Per Watt (typical):

21 lm/W

### CCT:

Amber

### Lifespan:

473,000 hrs @ 25°C (L70)

### Ratings & Certificates

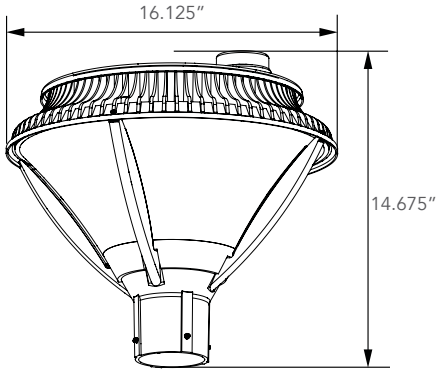
CSA Listed for Wet Locations  
IP65 rated





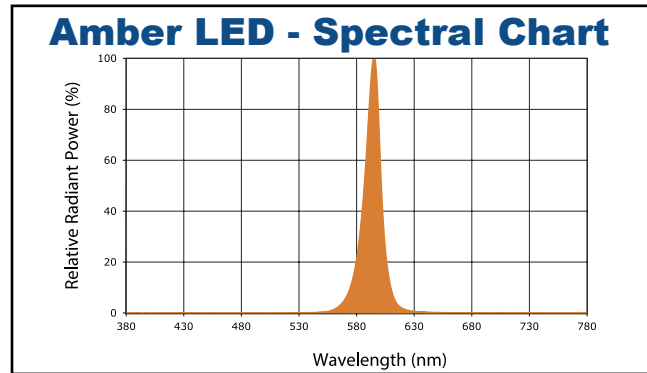
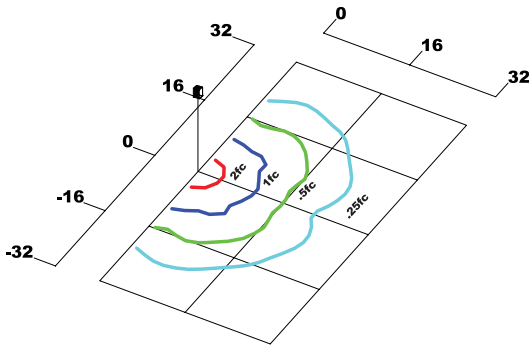
### Dimension

Item	Height	Diameter	Weight
46W/78W	14.675"	16.125"	14 lbs



### Photometric

LL-ALAEPTS-78-AMB-UNV





Project Name	
Catalog #	
Job Type	
Prepared By	
Notes	

## Fixture Ordering Information

Part #	Wattage	Lumens	CCT	Voltage	Color
LL-ALAEPTS-46-AMB-UNV-BZ	46	1012	Amber	120-277V	Bronze
LL-ALAEPTS-78-AMB-UNV-BZ	78	1717	Amber	120-277V	Bronze

## Accessories Ordering Information

Part #	Description
SF	Single Fuse <b>*120-277V Only*</b>
DF	Double Fuse <b>*120-277V Only*</b>
SP	Surge Protection
R3	3-Pin Twist Lock Photocell Receptacle
R5	5-Pin Twist Lock Photocell Receptacle
R7	7-Pin ANSIC136.41—2013 Twist Lock Photocell Receptacle
S2	Microwave Sensor with Dimming for Mounting Heights of 8' to 40' <b>*120-277V Only*</b>
S4	Microwave On/Off Motion Sensor for Mounting Heights of 8' to 19' <b>*120-277V Only*</b>
SUB "UNV" WITH "480"	480 Volt

\* Please contact LITELUME for all Custom Option Requests