



# Jar Bay Explosion Proof



## Description

The Litelume Jar Bay Explosion Proof (LL-JBEP) Class 1, Division 1 Luminaire features a drop glass diffuser with copper free wire guard. Typical lighting applications include industrial facilities, marine vessels, mining, chemical production & processing, oil & gas refineries and high humidity, dust and temperature facilities.

## Fixture Information

Size:	40W/60W/80W
Housing:	Die-cast Aluminum Housing
Finish:	Powder Coat Finish Over a Chromate Conversion Coating
Color:	Standard: Grey
Mounting:	Standard: Ceiling, Wall, or Surface Mount. Accepts NPT3/4 or M25. Optional: Pendant, or Pole Mount; Please see accessories for ordering instructions
Lens:	Clear Tempered Glass
CRI:	80
Temperature:	-25°C to +50°C
Voltage:	Standard: 120-277V Optional: 480V
Power Factor:	>.90
Surge Protector:	6 kVA
Warranty:	5-Year Limited Warranty

## Performance Data

### Lumen Output:

5,320 to 11,200 lm

### Lumens Per Watt (typical):

133 to 140 lm/W

### CCT:

4000K  
5000K

### Distribution:

Standard: 120 Degree  
Optional: 40,60 & 90 Degree

### Lifespan:

Features Meanwell Driver & Philips Lumileds with up to 100,000 running hours

### Ratings & Certificates

ETL Listed for Hazardous Locations Per UL844/UL1598/UL1598A as follows:

- Class I, Division 1, Groups C, D
- Class I, Division 2, Groups A, B, C, D
- Class II, Division 1, Groups E, F, G
- Class II, Division 2, Groups F, G
- Class III
- IP66

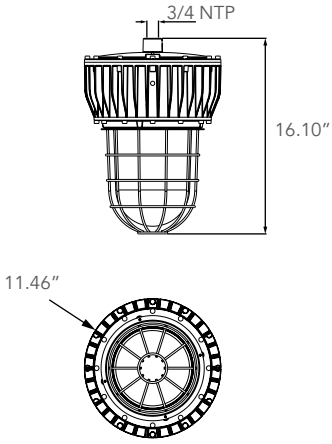
Suitable for Wet Locations, Sealed LED Compartment



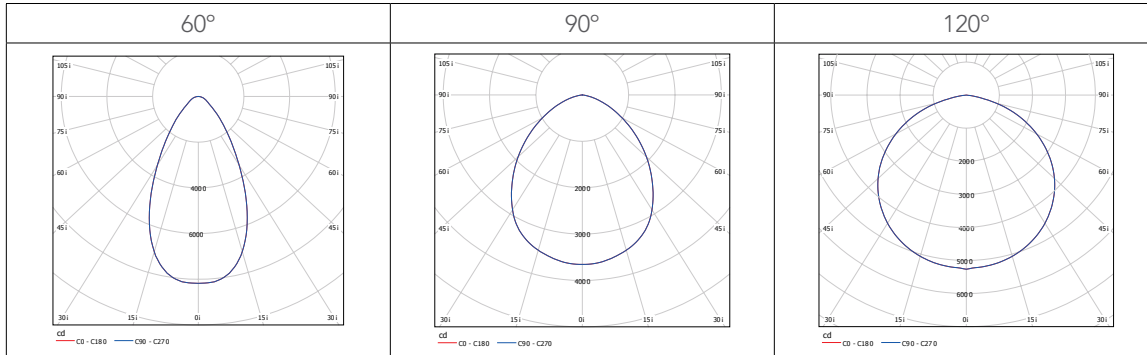


### Dimension

Item	Height	Diameter
40W/60W/80W	16.10"	11.46"



### Photometrics





<b>Project Name</b>	
<b>Catalog #</b>	
<b>Job Type</b>	
<b>Prepared By</b>	
<b>Notes</b>	

## Fixture Ordering Information

Part #	Wattage	Lumens	Kelvin	Voltage	Distribution
LL-JBEP-40-50-UNV-GY	40	5600	5000	120-277	120
LL-JBEP-40-40-UNV-GY	40	5320	4000	120-277	120
LL-JBEP-60-50-UNV-GY	60	8400	5000	120-277	120
LL-JBEP-60-40-UNV-GY	60	7980	4000	120-277	120
LL-JBEP-80-50-UNV-GY	80	11200	5000	120-277	120
LL-JBEP-80-40-UNV-GY	80	10640	4000	120-277	120

## Distribution Type Ordering Information (Standard:120°)

Part #	Description
40D	40°
60D	60°
90D	90°

\* Please contact LITELUME for all Custom Option Requests

## Accessories Ordering Information

Part #	Description
SUB "UNV" WITH "HV"	200-480 Volt *40W/60W Only*
PS	Pole Stanchion
PS25	25° Pole Stanchion
PM12	12" Pendant
PMB12	12" Bent Pendant
JB	Junction Box

\* Please contact LITELUME for all Custom Option Requests