



Wall Mount Luminaire



Description

The LITELUME™ Wallmount luminaire (LL-WML) features a rugged die-cast aluminum housing with advanced thermal management. A UV resistant type 3 secondary optic with high performing LED's. Plug and Play Microwave Motion Sensor and Photocell ready, suitable for commercial applications.

Applications: Auto Dealerships, Hotels, Grocery, Retail, warehouse, Over Door and general building illumination.

Fixture Information

Size:	27W/40W/70W/100W
Housing:	Die-cast Aluminum Housing
Finish:	Protective powdercoat
Color:	Standard: Bronze Custom Options: Black (BK) White (WH) Grey (GY)
Mounting:	Standard: Wall Mount
Lens:	Polycarbonate
Power Factor:	.90
CRI:	80
Temperature:	-22°F to 113°F
Surge Protection:	L-N: 2KV L/N-PE: 4KV
Voltage:	Standard: 120-277V Optional: 480V
Sensor:	Standard: No sensor Custom: Interchangeable Photocell With Daylight Harvesting Microwave Motion Sensor Daylight Harvesting Button Photocell (120-277V)
Warranty:	10-Year Limited Warranty

Performance Data

Lumen Output:

3,330 to 13,300 lm

Lumens Per Watt (typical):

123 to 130 lm/W

CCT:

3000K
4000K
5000K

Distribution

T3

Lifespan:

Featuring Philips Lumileds with up to 100,000 running hours

Ratings & Certificates

ETL Listed For Wet Location
IP66 rated
DLC Premium Listed
Dark Sky Compliant



Wattage Replacement

Existing Watts	Litelume Watts
70-100W	27W
100-175W	40W
175-250W	70W
250-400W	100W

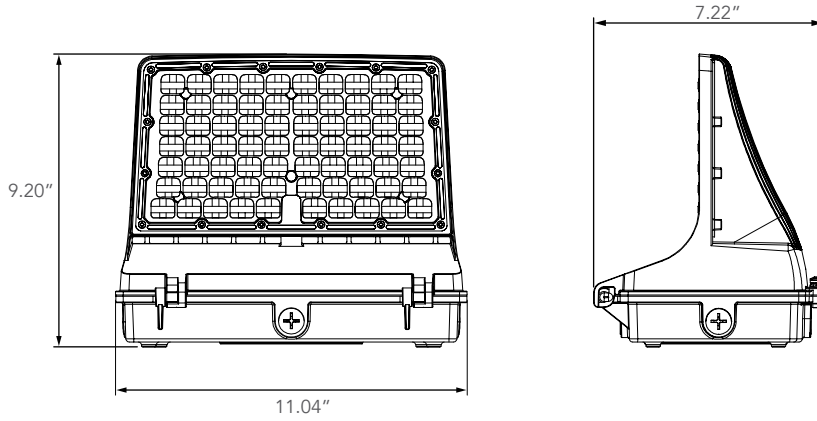
QuickShip Ordering Information

Part #
LL-WML-[27][40][70][100]-[30][40][50]-UNV-BZ

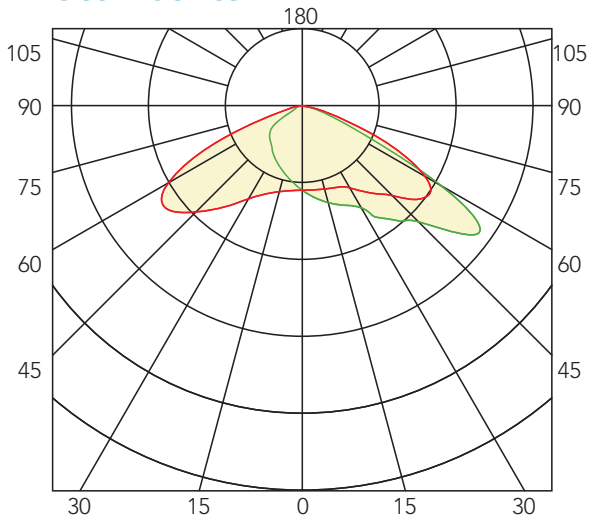


Dimension

Item	Width	Length	Height
WML 27/40W	11.04"	9.20"	7.22"



Photometrics



Controls

Interchangeable Photocell With Daylight Harvesting	Microwave Motion Sensor	



Project Name	
Catalog #	
Job Type	
Prepared By	
Notes	

Fixture Ordering Information

Part #	Wattage	Lumens	Kelvin	Voltage	Distribution	DLC Listed
LL-WML-27-50-UNV-BZ	27	3700	5000	120-277	T3	Yes
LL-WML-27-40-UNV-BZ	27	3600	4000	120-277	T3	Yes
LL-WML-27-30-UNV-BZ	27	3330	3000	120-277	T3	Yes
LL-WML-40-50-UNV-BZ	40	5400	5000	120-277	T3	Yes
LL-WML-40-40-UNV-BZ	40	5300	4000	120-277	T3	Yes
LL-WML-40-30-UNV-BZ	40	4860	3000	120-277	T3	Yes
LL-WML-70-50-UNV-BZ	70	9300	5000	120-277	T3	Yes
LL-WML-70-40-UNV-BZ	70	9150	4000	120-277	T3	Yes
LL-WML-70-30-UNV-BZ	70	8370	3000	120-277	T3	Yes
LL-WML-100-50-UNV-BZ	100	13300	5000	120-277	T3	Yes
LL-WML-100-40-UNV-BZ	100	13000	4000	120-277	T3	Yes
LL-WML-100-30-UNV-BZ	100	11970	3000	120-277	T3	Yes

* Please contact LITELUME for all Custom Option Requests

QuickShip Ordering Information

Part #
LL-WML-[27][40][70][100]-[30][40][50]-UNV-BZ

Accessories Ordering Information

Part #	Description
MMS	Microwave Motion Sensor
DH	Daylight Harvesting *Must Order With MMS*
LL-100	Remote Control 100
IPCDH	Interchangeable Photocell With Daylight Harvesting
LL-300	Remote Control 300
PC	Button Photocell, 120-277v
EM4	Emergency Battery Back Up 4w

* Please contact LITELUME for all Custom Option Requests