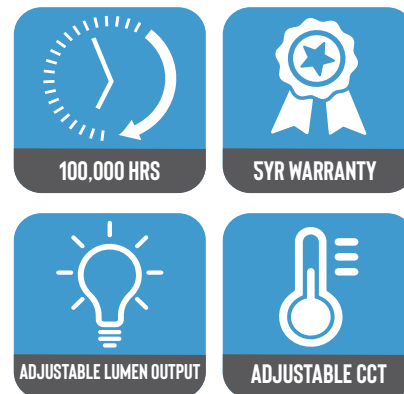


Litelume LED Area Light All Purpose Adjustalume Series



The LITELUME™ Area Light All Purpose (LL-ALAP) Adjustalume Series features an all new one piece extruded aluminum design with outstanding corrosion protection, and secondary UV resistant polycarbonate optics. Compact, low profile, IK08 and 3G vibration rated. The ALAP provides an aesthetically pleasing addition to any application with its steady well defined construction.

PRODUCT FEATURES

Fixture Information

Size:	45W/95W/145W
Housing:	Die Cast Aluminum Housing
Finish:	Protective powder coat
Color:	Color: Standard: Bronze Custom Options: Black (BK) White (WH)
Lens:	Polycarbonate
Temperature:	-40°F to +104°F
Voltage:	Standard: 120-277V Optional: 277-480V
CRI:	70
Power Factor:	>.95
Sensor:	Standard: No sensor Optional: Microwave motion sensor, Twist Lock Photocell and Receptacle
Warranty:	5-Year Limited Warranty

Performance Data

Lumen Output:

6,300 to 20,300 lm

Lumens Per Watt (typical):

140 lm/W

CCT:

3000K

4000K

5000K

Distribution:

Type III

Lifespan:

Features 3030 LED's with up to 100,000 running hours

Ratings & Certificates

cUL Listed for Wet Location

IP65

IK08

DLC Premium listed

QuickShip Ordering Information

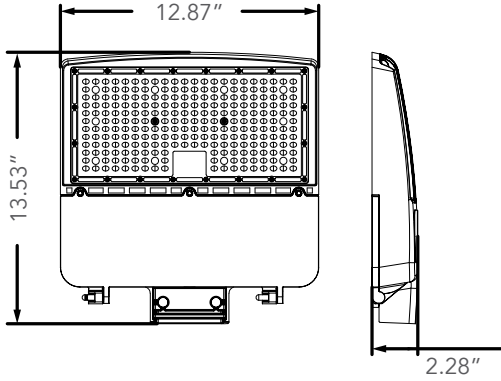
Part #
LL-ALAP-[45][95][145]-3CCT-UNV-T3-BZ
PMAR
SF
SMA

Litelume LED Area Light All Purpose Adjustalume Series



Dimension

Item	Height	Width	Length
45W/95W/145W	13.53"	2.28"	12.87"



Mounting Options

SF-Slipfitter		SF on Pole

Litelume LED Area Light All Purpose Adjustalume Series



PMAR- Pole Mount Adjustable with Round Adapter		PMAR on Pole

SMA- Surface Mount Adjustable		

Litelume LED Area Light All Purpose Adjustalume Series



Fixture Ordering Information

Part #	Wattage	Lumens	CCT	Voltage	Distribution	Finish
LL-ALAP-45-3CCT-UNV-T3-BZ	45	6300	3000K/4000K/5000K SELECTABLE	120-277V	Type III	Bronze
LL-ALAP-95-3CCT-UNV-T3-BZ	95	13300	3000K/4000K/5000K SELECTABLE	120-277V	Type III	Bronze
LL-ALAP-145-3CCT-UNV-T3-BZ	145	20300	3000K/4000K/5000K SELECTABLE	120-277V	Type III	Bronze
LL-ALAP-45-3CCT-HV-T3-BZ	45	6300	3000K/4000K/5000K SELECTABLE	277-480V	Type III	Bronze
LL-ALAP-95-3CCT-HV-T3-BZ	95	13300	3000K/4000K/5000K SELECTABLE	277-480V	Type III	Bronze
LL-ALAP-145-3CCT-HV-T3-BZ	145	20300	3000K/4000K/5000K SELECTABLE	277-480V	Type III	Bronze

Quick Ship Ordering Information

Part #
LL-ALAP-[45][95][145]-3CCT-UNV-T3-BZ
PMAR
SF
SMA

Mounting Ordering Information

Part #	Description
SF	Slipfitter
SMA	Surface Mount Adjustable
PMAR	Pole Mount Adjustable with Round Adapter

* Please contact LITELUME for all Custom Option Requests

Accessories Ordering Information

Part #	Description
MMS	Microwave Motion Sensor
TLPC	Twist Lock Photocell

* Please contact LITELUME for all Custom Option Requests