



# High Bay Round



\*Not all product variations listed on this page are DLC qualified. Visit [www.designlights.org/search](http://www.designlights.org/search) to confirm qualification



## Description

The LITELUME™ LED High Bay Round (HBR) is a low profile luminaire constructed with a IP65 rated one piece die cast housing suitable for both indoor and outdoor applications. Featuring a proprietary optical system making this fixture ideal for all high bay applications.

## Fixture Information

Size:	65W/105W/140W/180W
Housing:	Sealed Die-casting
Finish:	Protective powdercoat
Color:	Standard: White Custom Options: Black (BK) Bronze (BZ)
Mounting:	Standard: Hook Mount
Power Cord:	Standard: 1', 6" So Cord, 300V, 18 Gauge, 3 Conductor Optional: See accessories
Lens:	Standard: Polycarbonate Clear Lens Optional: Frosted Lens
Surge Protector:	Optional: 10 kVA
Operating temperature	-40° F to 131° F
Power factor	.95
CRI:	80
Voltage:	Standard: 120-277V Custom Option: 347-480V
Sensor:	Standard: No sensor Bi-level Motion Sensor Remote Control Sensor
Warranty:	10-Year Limited Warranty

## Performance Data

### Lumen Output:

9,118 to 25,000 lm

### Lumens Per Watt (typical):

133 to 140 lm/W

### CCT:

4000K  
5000K

### Distribution

Type V

### Lifespan:

Features Philip Lumileds with up to 100,000 running hours

### Ratings & Certificates

UL Listed For Wet Location  
DLC Premium Qualified\*  
IP65 rated



## QuickShip Ordering Information

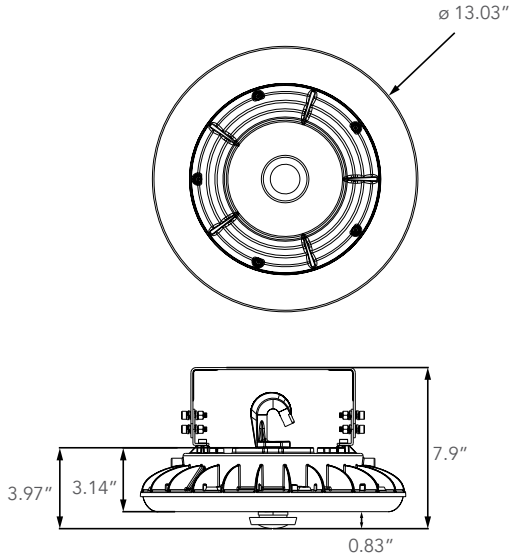
Part #	Part #
LL-HBR-65-50-UNV-WH	LL-HBR-65-50-UNV-BK
LL-HBR-65-40-UNV-WH	LL-HBR-65-40-UNV-BK
LL-HBR-105-50-UNV-WH	LL-HBR-105-50-UNV-BK
LL-HBR-105-40-UNV-WH	LL-HBR-105-40-UNV-BK
LL-HBR-140-50-UNV-WH	LL-HBR-140-50-UNV-BK
LL-HBR-140-40-UNV-WH	LL-HBR-140-40-UNV-BK
LL-HBR-180-50-UNV-WH	LL-HBR-180-50-UNV-BK
LL-HBR-180-40-UNV-WH	LL-HBR-180-40-UNV-BK



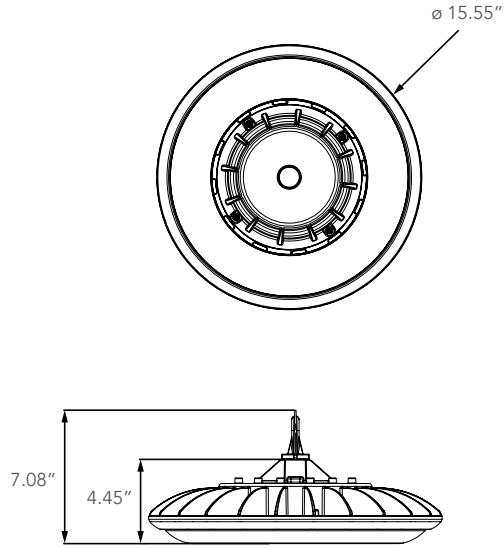
### Dimension

Item	Diameter	Height	Weight
65W	13.03"	3.14"	8.30 lbs
105W	15.55"	4.45"	8.30 lbs
140W	15.55"	4.45"	9.50 lbs
180W	15.55"	4.45"	9.50 lbs

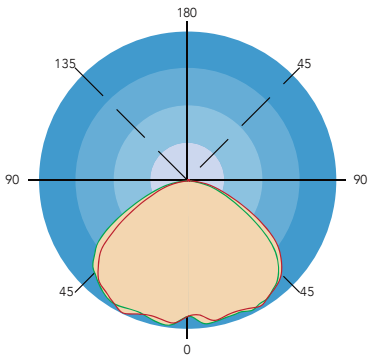
65W



105W, 140W, 180W



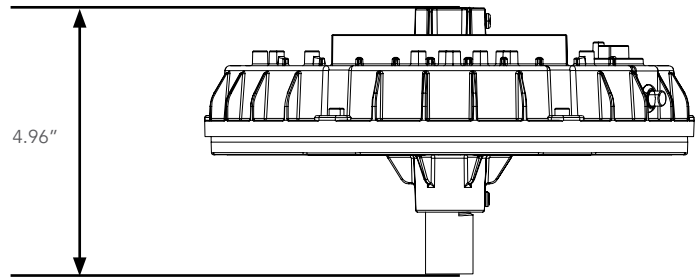
### Photometrics General





### Accessories

Emergency Battery Back Up Kit



### Mounting Options

	Pendant	Trunion
With Sensor		
Without Sensor		



<b>Project Name</b>	
<b>Catalog #</b>	
<b>Job Type</b>	
<b>Prepared By</b>	
<b>Notes</b>	

### Fixture Ordering Information

Part #	Wattage	Lumens	Kelvin	Voltage	Type Distribution	DLC Listed*
LL-HBR-65-50-UNV-WH	65	9400	5000	120-277	HB	No
LL-HBR-65-40-UNV-WH	65	9118	4000	120-277	HB	No
LL-HBR-105-50-UNV-WH	105	14000	5000	120-277	HB	Yes
LL-HBR-105-40-UNV-WH	105	13685	4000	120-277	HB	Yes
LL-HBR-140-50-UNV-WH	140	19100	5000	120-277	HB	No
LL-HBR-140-40-UNV-WH	140	18527	4000	120-277	HB	No
LL-HBR-180-50-UNV-WH	180	25000	5000	120-277	HB	Yes
LL-HBR-180-40-UNV-WH	180	24110	4000	120-277	HB	Yes
LL-HBR-65-50-UNV-BK	65	9400	5000	120-277	HB	No
LL-HBR-65-40-UNV-BK	65	9118	4000	120-277	HB	No
LL-HBR-105-50-UNV-BK	105	14000	5000	120-277	HB	Yes
LL-HBR-105-40-UNV-BK	105	13685	4000	120-277	HB	Yes
LL-HBR-140-50-UNV-BK	140	19100	5000	120-277	HB	No
LL-HBR-140-40-UNV-BK	140	18527	4000	120-277	HB	No
LL-HBR-180-50-UNV-BK	180	25000	5000	120-277	HB	Yes
LL-HBR-180-40-UNV-BK	180	24110	4000	120-277	HB	Yes

\*Not all product variations listed on this page are DLC qualified. Visit [www.designlights.org/search](http://www.designlights.org/search) to confirm qualification

### QuickShip Ordering Information

Part #
LL-HBR-65-50-UNV-WH
LL-HBR-65-40-UNV-WH
LL-HBR-105-50-UNV-WH
LL-HBR-105-40-UNV-WH
LL-HBR-140-50-UNV-WH
LL-HBR-140-40-UNV-WH
LL-HBR-180-50-UNV-WH
LL-HBR-180-40-UNV-WH
LL-HBR-65-50-UNV-BK
LL-HBR-65-40-UNV-BK
LL-HBR-105-50-UNV-BK
LL-HBR-105-40-UNV-BK
LL-HBR-140-50-UNV-BK
LL-HBR-140-40-UNV-BK
LL-HBR-180-50-UNV-BK
LL-HBR-180-40-UNV-BK



## Accessories Ordering Information

Part #	Wattage
MS20	Bi-Level PIR Motion Sensor 20
LL-100	Remote Control 100
L3	L3 Low Bay Coverage Lens
L4	L4 High Bay Coverage Lens
CORD6WH183	6' So Cord, White, 300V, 18 Gauge, 3 Conductor
CORD6WH185	6' So Cord, White, 300V, 18 Gauge, 5 Conductor
CORD6WH600183	6' So Cord, White, 600V, 18 Gauge, 3 Conductor
CORD6WH600185	6' So Cord, White, 600V, 18 Gauge, 5 Conductor
CORD6BK183	6' So Cord, Black, 300V, 18 Gauge, 3 Conductor
CORD6BK185	6' So Cord, Black, 300V, 18 Gauge, 5 Conductor
CORD6BK600183	6' So Cord, Black, 600V, 18 Gauge, 3 Conductor
CORD6BK600185	6' So Cord, Black, 600V, 18 Gauge, 5 Conductor
HBRTTRWH	High Bay Round Trunion White
HBRTTRBK	High Bay Round Trunion Black
5-15P	NEMA 5-15P Plug, 15 Amp, 125V
L5-15P	NEMA Twist Lock L5-15P Plug, 15 Amp, 125V
L7-15P	NEMA Twist Lock L7-15P Plug, 15 Amp, 125V
L7-20P	NEMA Twist Lock L7-20P Plug, 20 Amp, 277V
L8-20p	NEMA Twist Lock L8-20P Plug, 20 Amp, 480V
L8-30p	NEMA Twist Lock L8-30P Plug, 30 Amp, 480V
FR-HBR	Frosted Lens for High Bay Round
EMKIT16WH	Emergency Battery Back Up Kit 16W White
EMKIT16BK	Emergency Battery Back Up Kit 16W Black
SUB "UNV" WITH "480"	480 Volt

\* Please contact LITELUME for all Custom Option Requests

## Buy American Act Compliant Ordering Information

Part #	Description
BAA-HBR	Buy American Act Compliant for High Bay Round

\* Please contact LITELUME for all Custom Option Requests