



Post Top Area Light Medium



Description

The LITELUME™ Post Top Area Light Medium Luminaire (LL-PTALM) combines style with performance. Featuring a die-cast aluminum housing with outstanding corrosion protection, and secondary UV resistant polycarbonate optics. The PTALM provides an aesthetically pleasing addition to any walkway, park, downtown corridor or parking lot with its steady well-defined construction. The highly functioning optics provide maximum distribution to make the PTALM a premier choice for outdoor area lighting.

Fixture Information

Size:	50W/100W
Housing:	Die-cast aluminum housing
Finish:	Protective powdercoat
Color:	Standard: Bronze Custom Options: Black (BK), White (WH) and Gray (GY)
Mounting:	Tenon fits 2 3/8" standard OD
Power Factor:	>.95
Driver:	Meanwell HLG
Lens:	Polycarbonate
CRI:	80
Surge Protector:	Standard: 4kVA Optional: 10kVA, 20kVA
Voltage:	Standard: 120-277V Custom Option: 347-480V
Sensor:	Standard: No sensor
Warranty:	5-Year Limited Warranty

Performance Data

Lumen Output:

6358 to 13800 lm

Lumens Per Watt (typical):

127 to 138 lm/W

CCT:

3000K
4000K
5000K

Distribution:

Type V

Lifespan:

Features Philips Lumileds with up to 100,000 running hours.

Ratings & Certificates

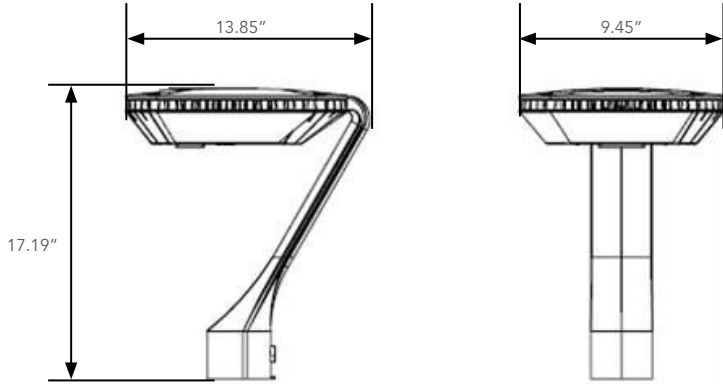
ETL Listed for Wet Location





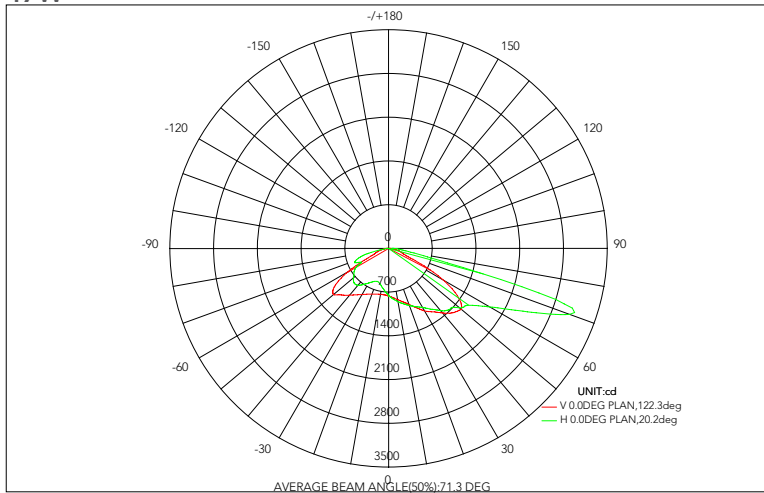
Dimensions

Item	Width	Length	Height
Post Top Area Light Small	9.45"	13.85"	17.19"

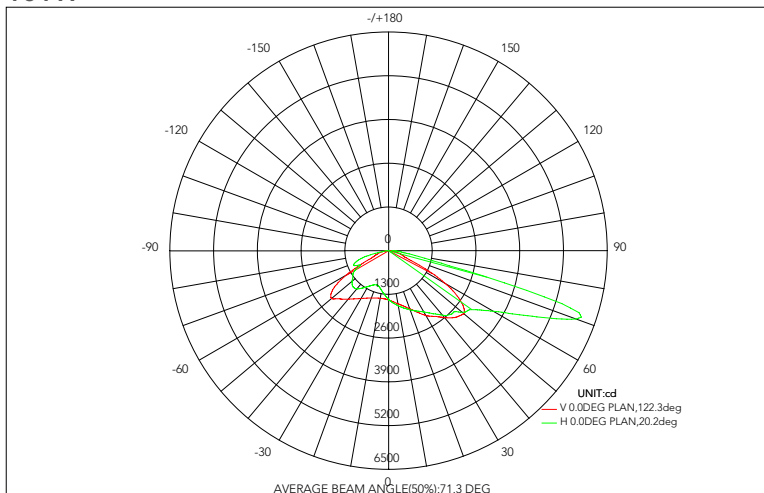


Photometric Data

47W



101W





Project Name	
Catalog #	
Job Type	
Prepared By	
Notes	

Fixture Ordering Information

Part #	Wattage	Lumens	Kelvin	Voltage	Type Distribution	Custom Option Available*
LL-PTALM-50-50-UNV-T3-BZ	50	6900	5000	120-277	T3	Yes
LL-PTALM-50-40-UNV-T3-BZ	50	6693	4000	120-277	T3	Yes
LL-PTALM-50-30-UNV-T3-BZ	50	6358	3000	120-277	T3	Yes
LL-PTALM-50-50-UNV-T5-BZ	50	6900	5000	120-277	T5	Yes
LL-PTALM-50-40-UNV-T5-BZ	50	6693	4000	120-277	T5	Yes
LL-PTALM-50-30-UNV-T5-BZ	50	6358	3000	120-277	T5	Yes
LL-PTALM-100-50-UNV-T3-BZ	100	13800	5000	120-277	T3	Yes
LL-PTALM-100-40-UNV-T3-BZ	100	13386	4000	120-277	T3	Yes
LL-PTALM-100-30-UNV-T3-BZ	100	12716	3000	120-277	T3	Yes
LL-PTALM-100-50-UNV-T5-BZ	100	13800	5000	120-277	T5	Yes
LL-PTALM-100-40-UNV-T5-BZ	100	13386	4000	120-277	T5	Yes
LL-PTALM-100-30-UNV-T5-BZ	100	12716	3000	120-277	T5	Yes

* Please contact LITELUME for all Custom Option Requests

Accessories Ordering Information

Part #	Wattage
SP10	10kVA Surge Protector
SP20	20kVA Surge Protector
SUB "UNV" WITH "480"	480 VOLT

* Please contact LITELUME for all Custom Option Requests